

Условные обозначения

| | | |
|--|--|-------------------------|
| | | Заливная пробка / Сапун |
| | | Пробка контроля уровня |
| | | Сливная пробка |

C_P

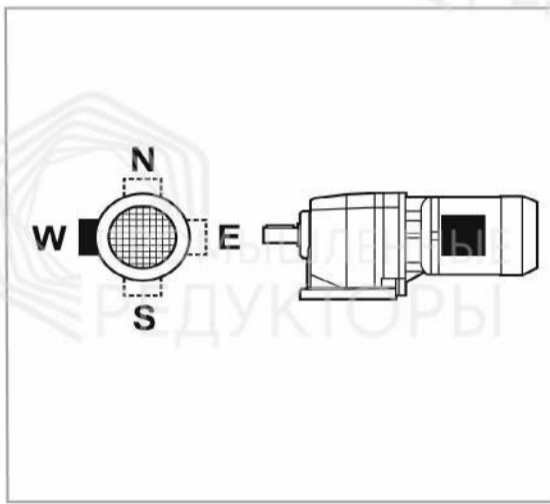
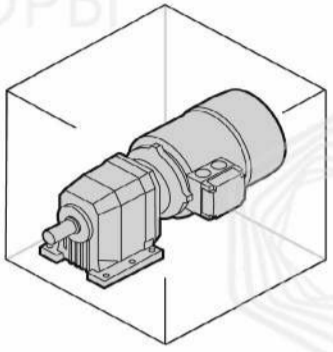
(B5)

_HS

_P (IEC)

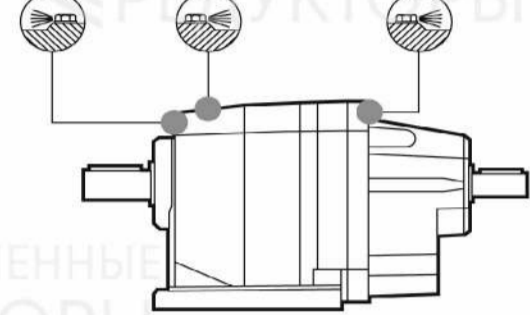
_S

B3

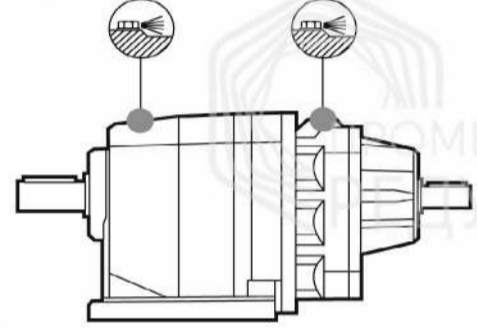


W = Default

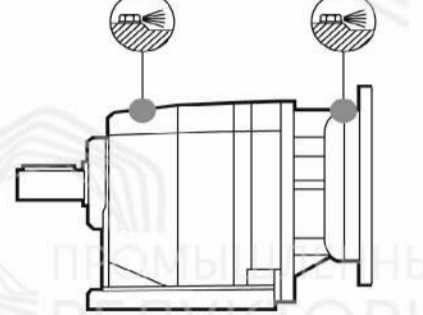
(C11) (C35,C41) (C21,C31)



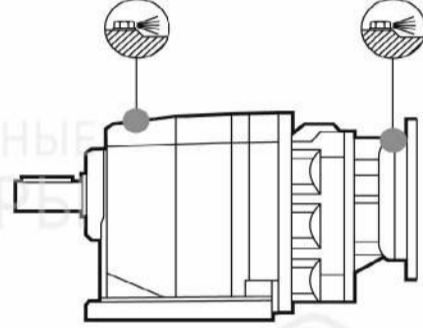
(C35,C41)



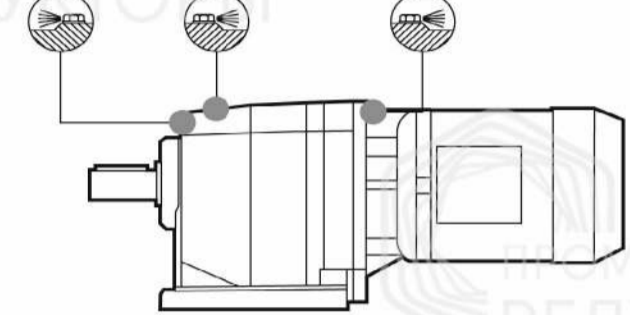
(C35,C41)



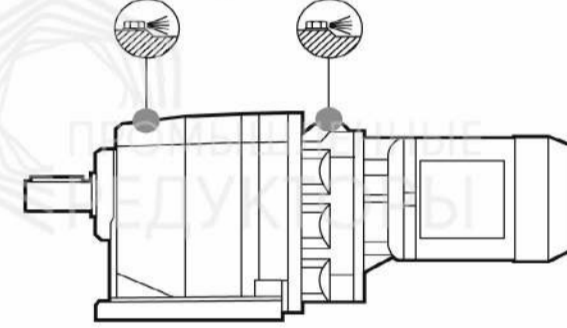
(C35,C41)



(C11) (C35,C41) (C21,C31)



(C35,C41)



C11-C21-C31

2x

2x
3x

C35-C41

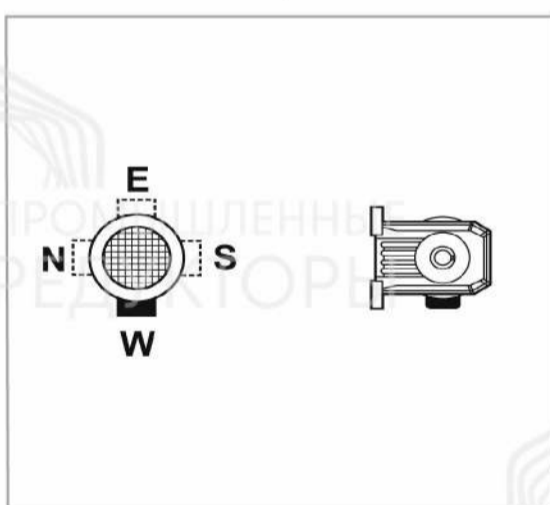
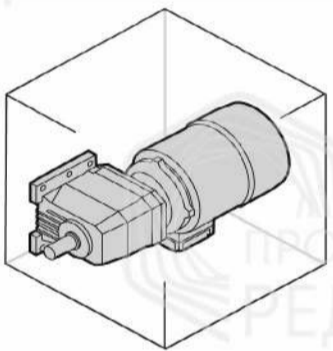
C21-C31

3x

4x

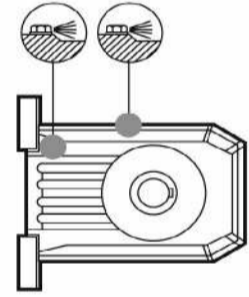
C35-C41

B6

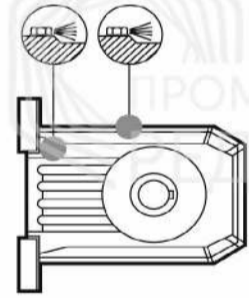


W = Default

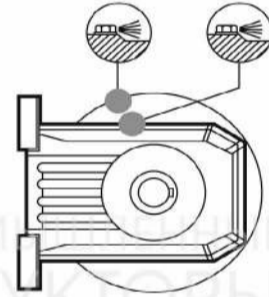
(C35,C41)



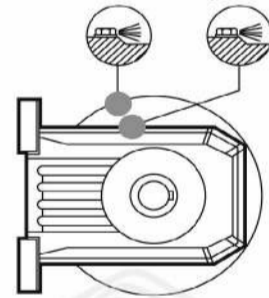
(C35,C41)



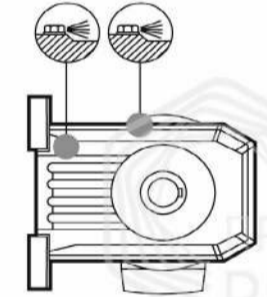
(C35,C41)



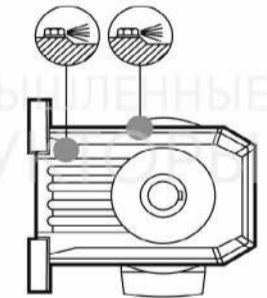
(C35,C41)



(C35,C41)



(C35,C41)



C11-C21-C31

2x

2x
3x

C35-C41

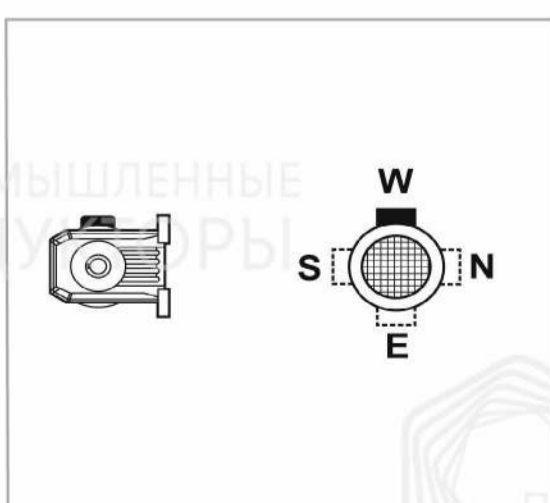
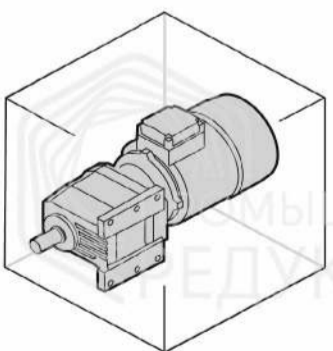
C21-C31

3x

4x

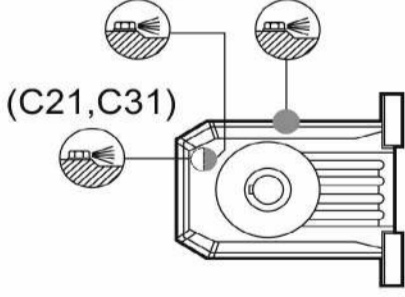
C35-C41

B7



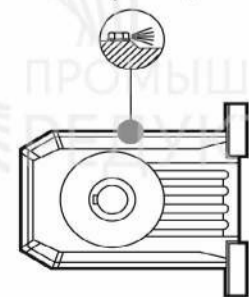
W = Default

(C11) (C35,C41)



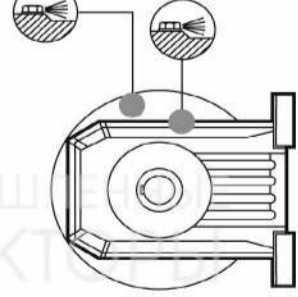
(C21,C31)

(C35,C41)

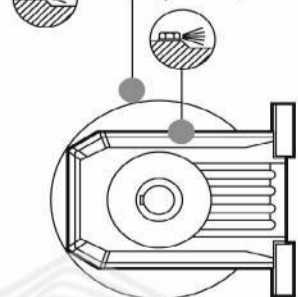


(C21,C31)

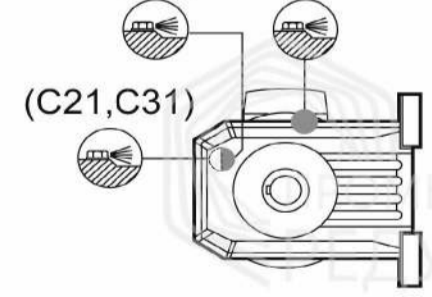
(C35,C41)



(C35,C41)

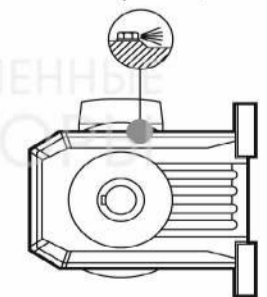


(C11) (C35,C41)



(C21,C31)

(C35,C41)



(C21,C31)

C11-C21-C31

2x

2x
3x

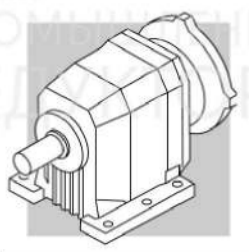
C35-C41

C21-C31

3x

4x

C35-C41



C 11...C 41

C_P

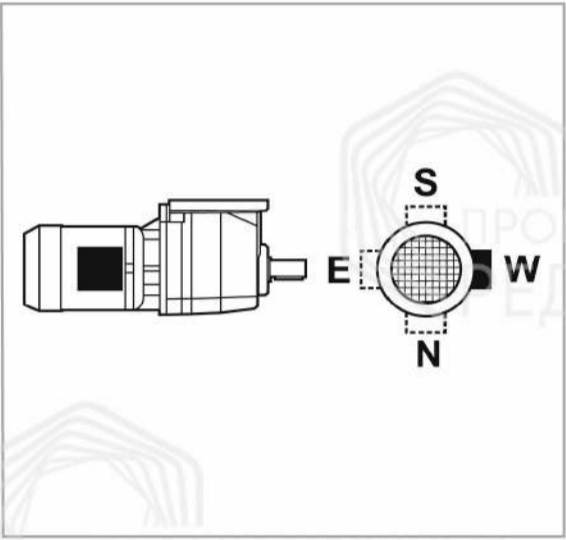
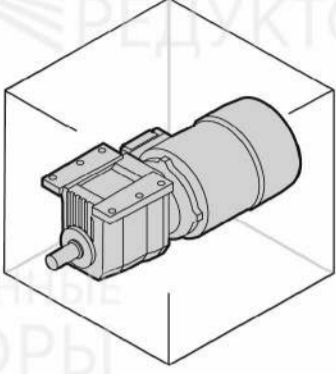
(B6)

_HS

_P (IEC)

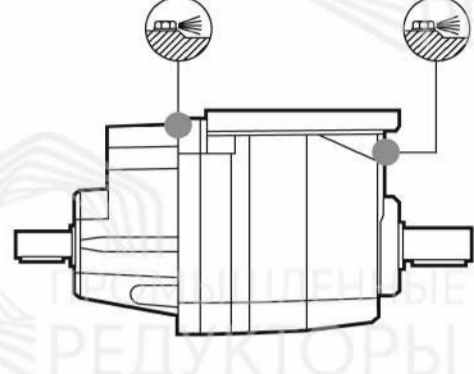
_S

B8

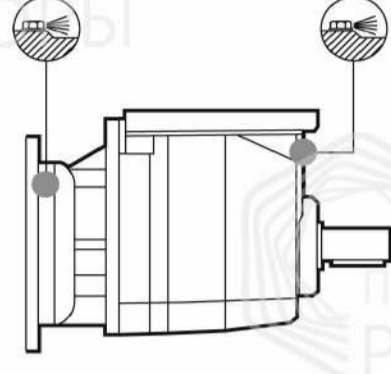


W = Default

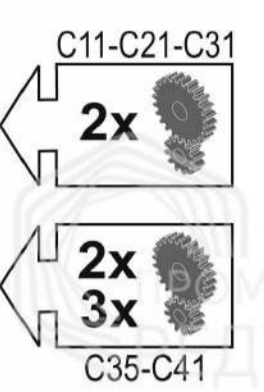
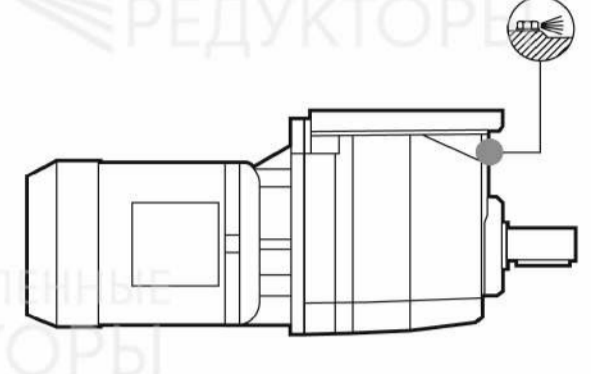
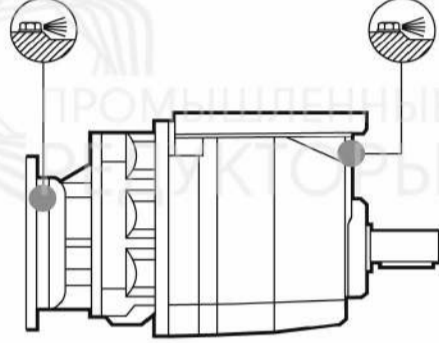
(C21,C31) (C11,C35,C41)



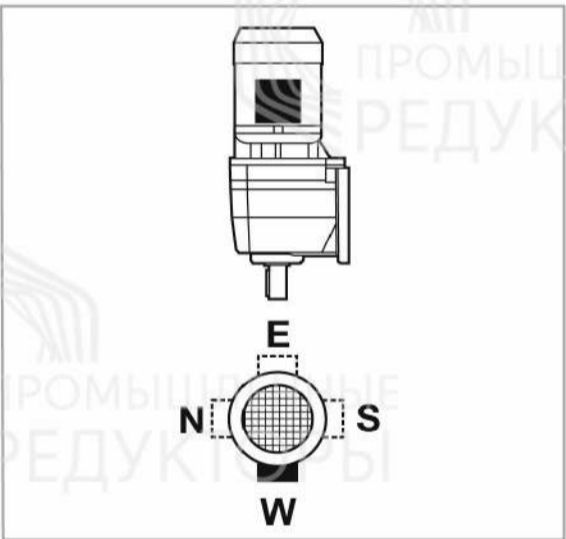
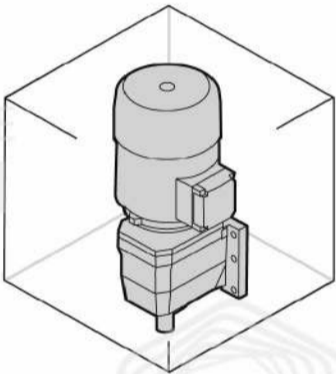
(C35,C41)



(C35,C41)

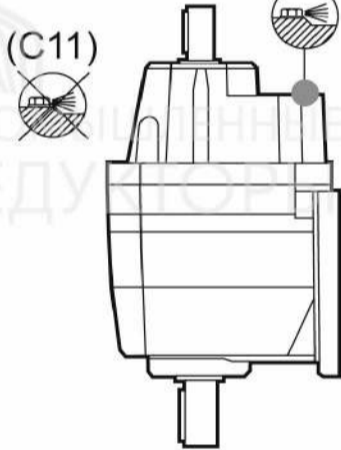


V5

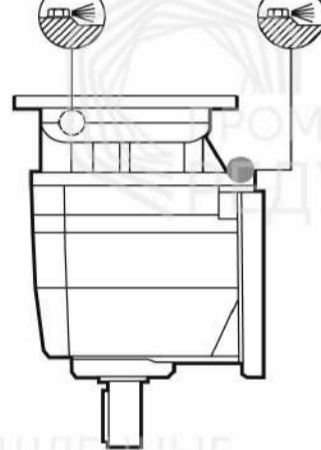


W = Default

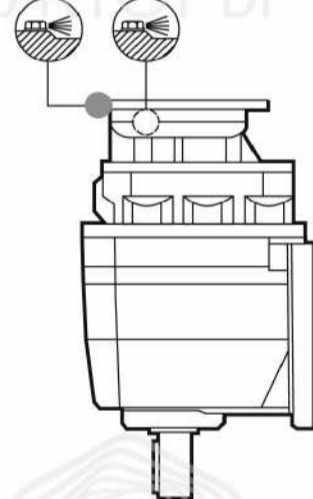
(C21, C31,C35,C41)



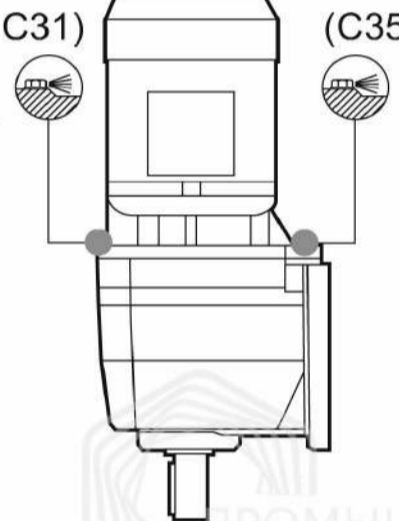
(C35,C41)



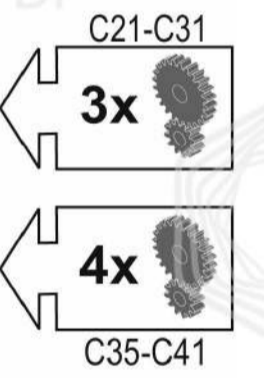
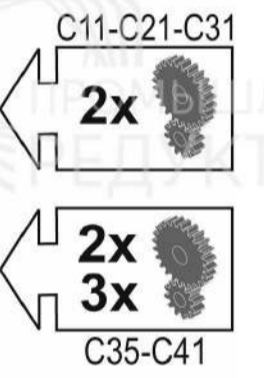
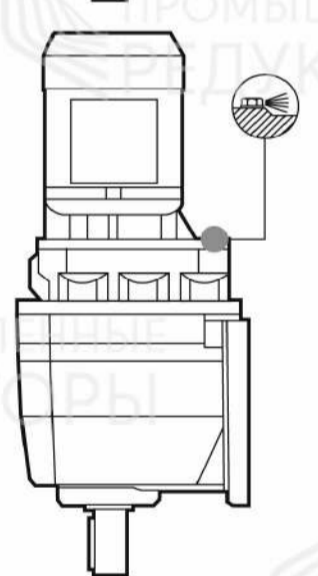
(C35,C41)



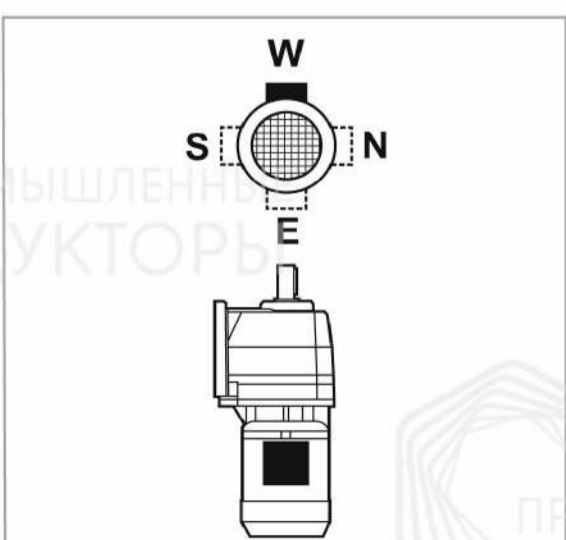
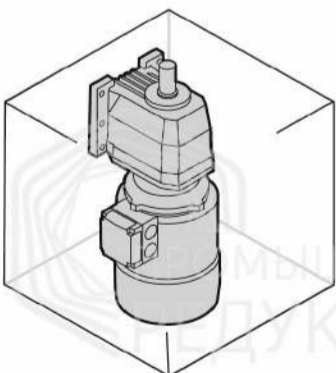
(C21, C31)



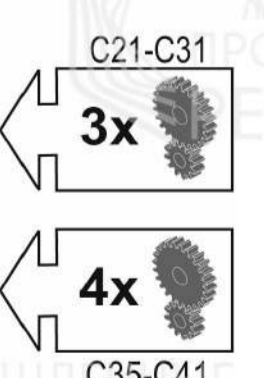
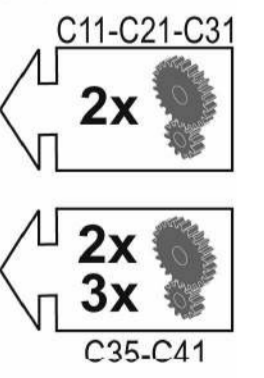
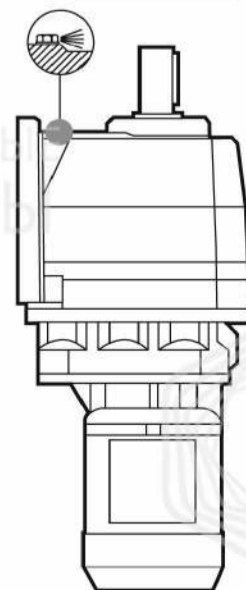
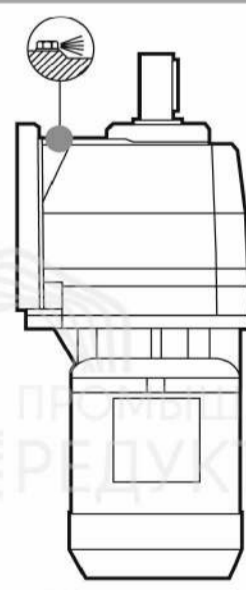
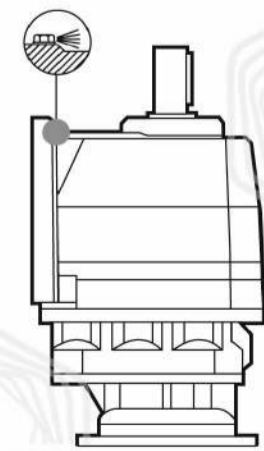
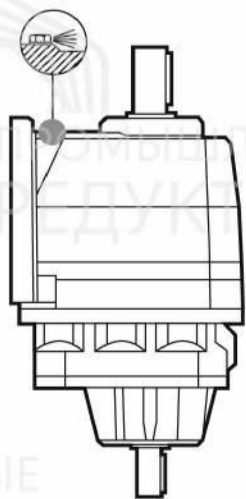
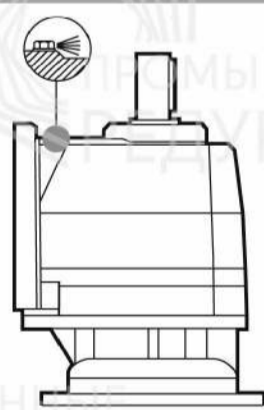
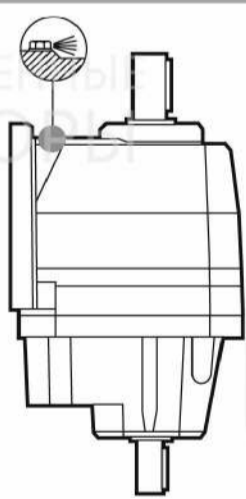
(C35,C41)

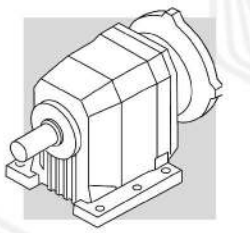


V6



W = Default





C_F

C_U

C_UF

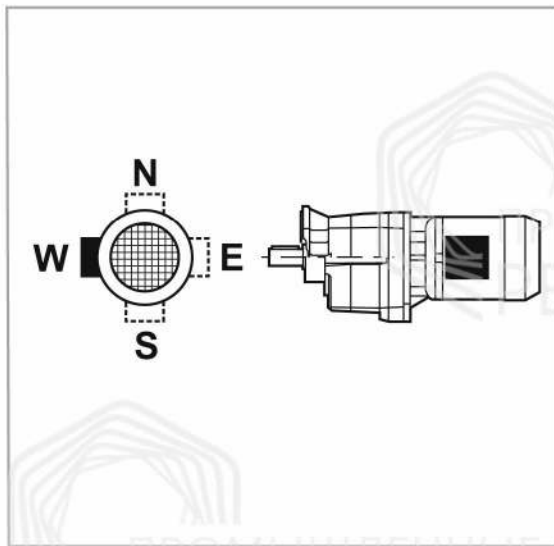
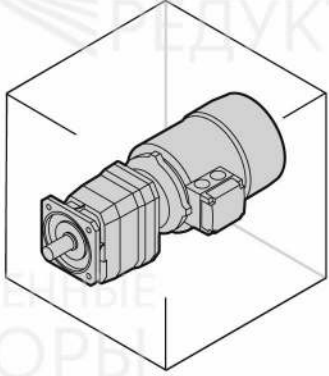
(B7)

_HS

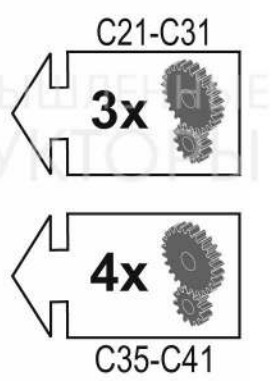
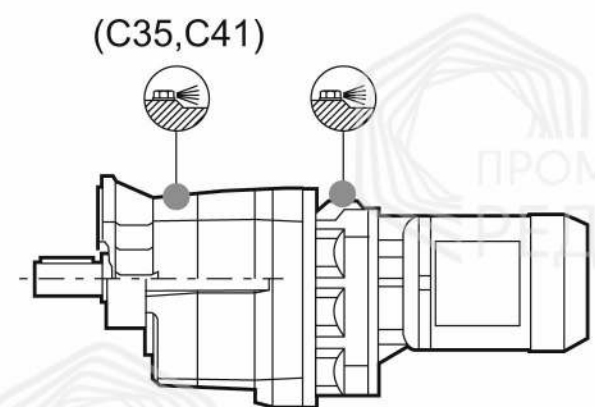
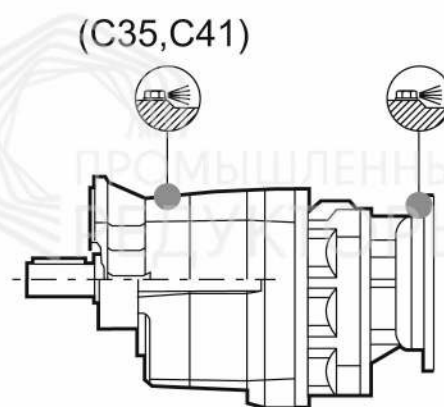
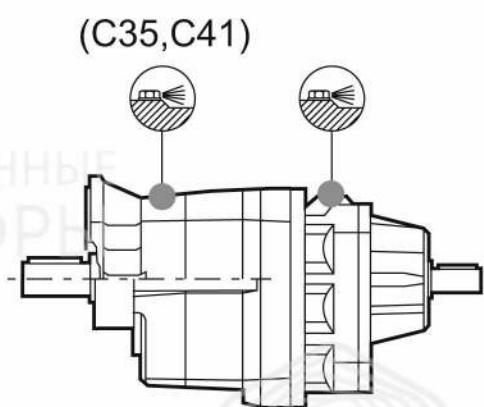
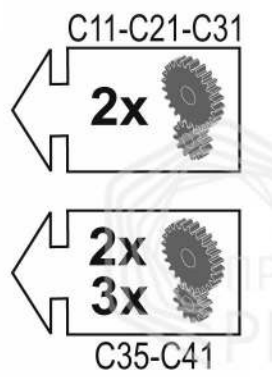
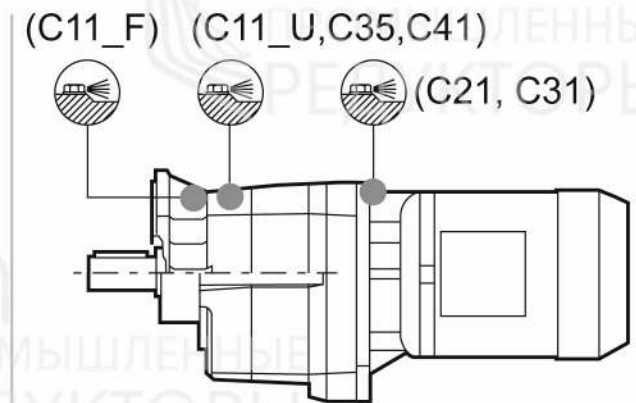
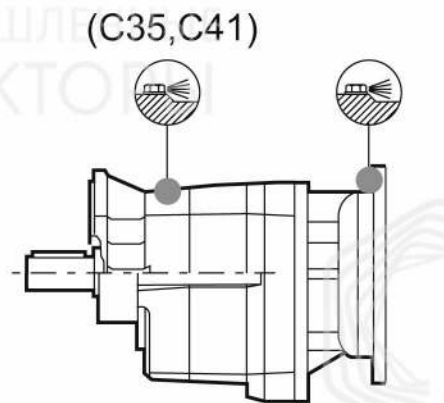
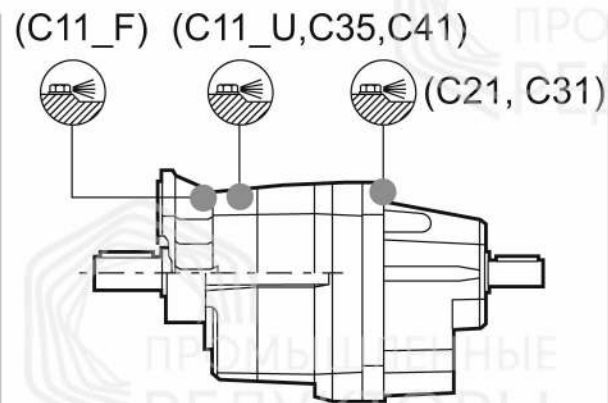
_P (IEC)

_S

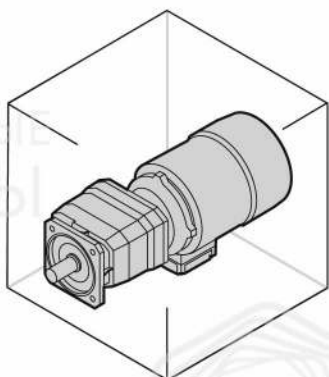
B5



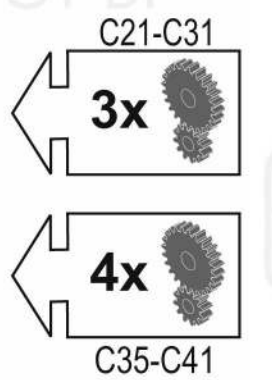
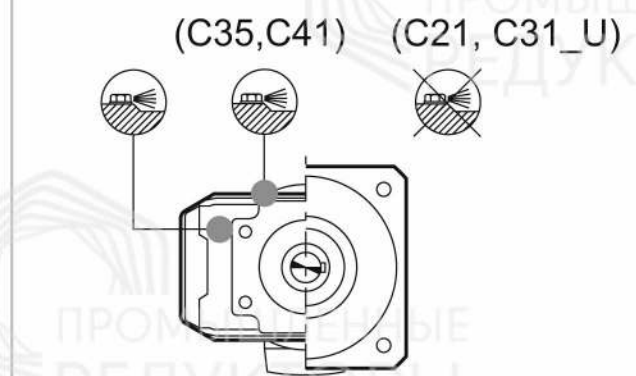
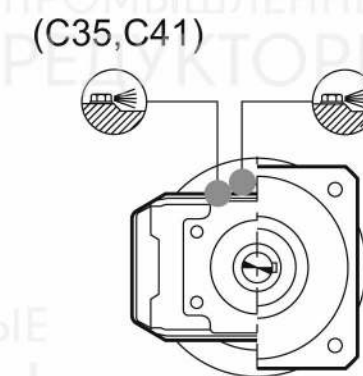
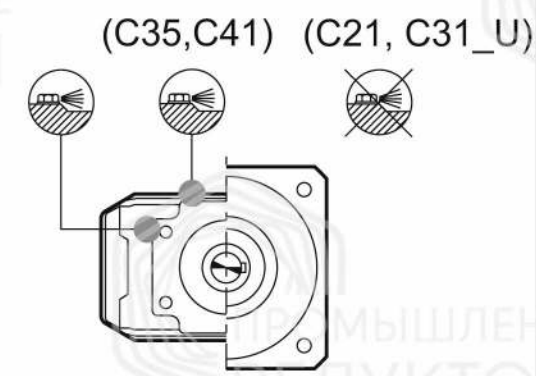
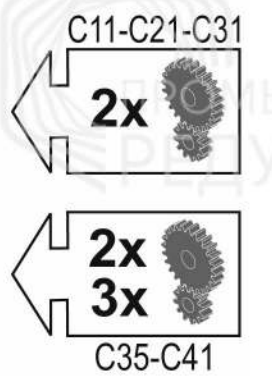
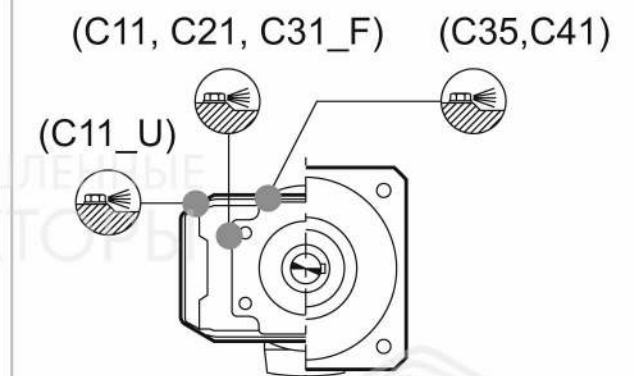
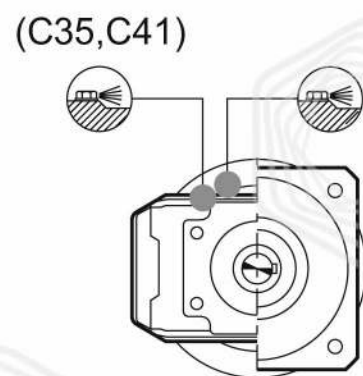
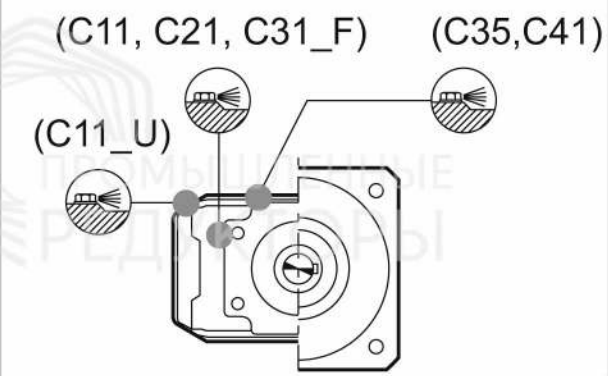
W = Default



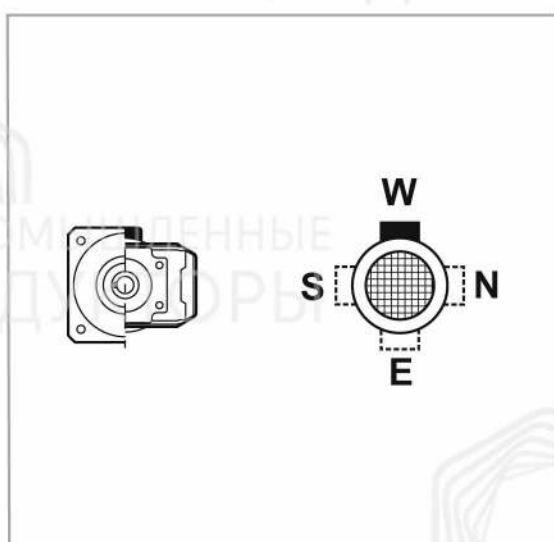
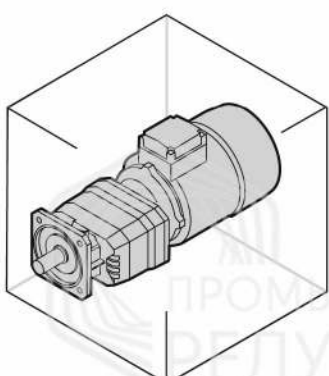
B51



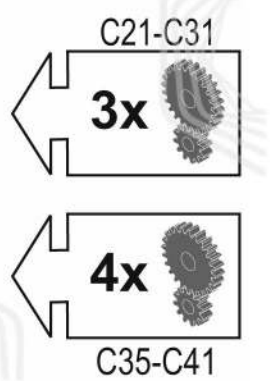
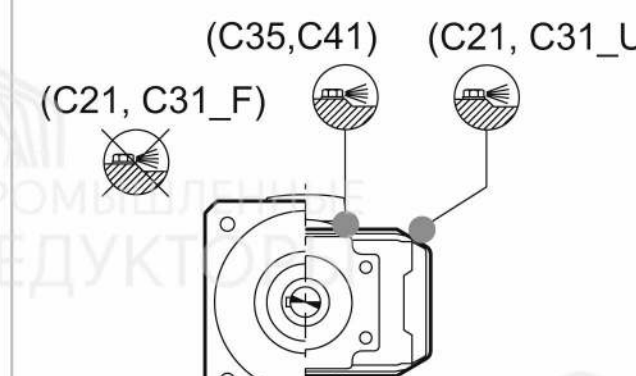
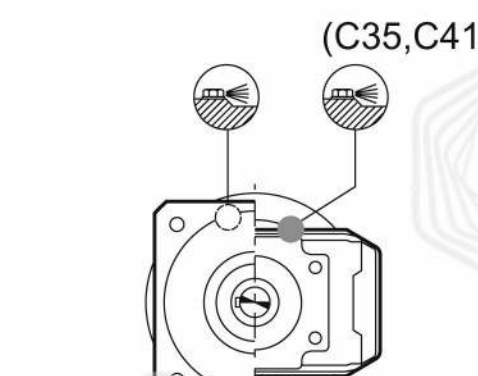
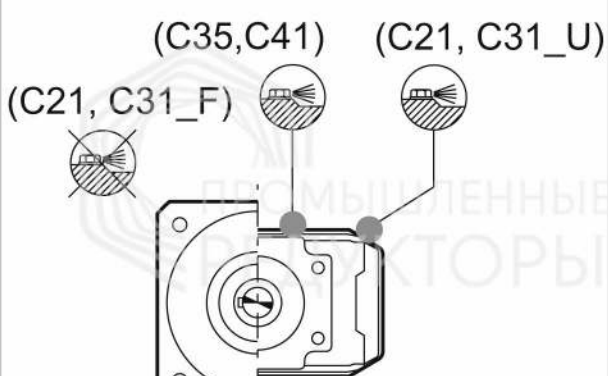
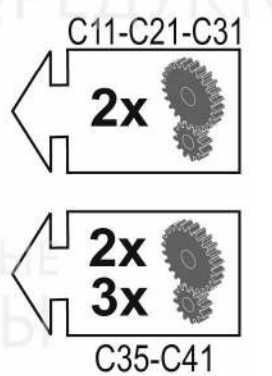
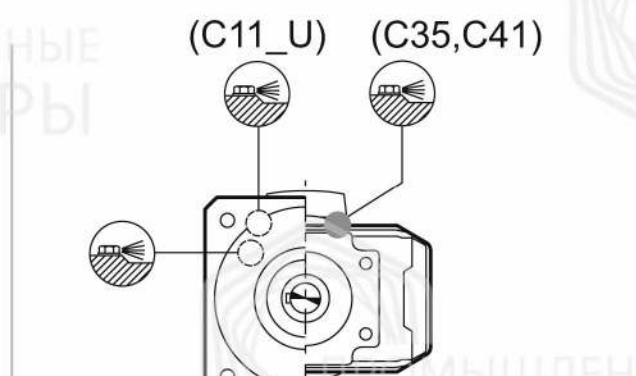
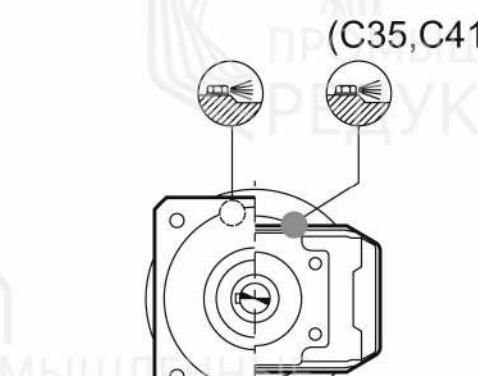
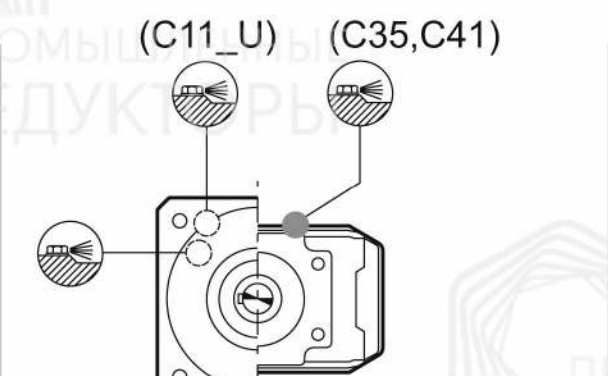
W = Default

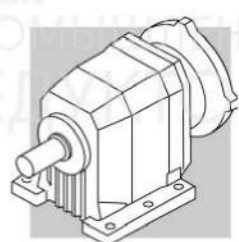


B53



W = Default





C 11...C 41

C_F

C_U

C_UF

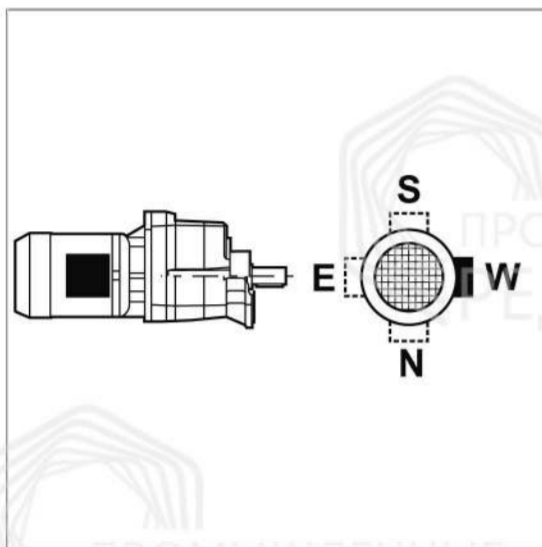
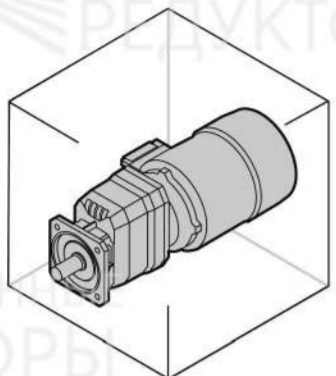
(B8)

_HS

_P (IEC)

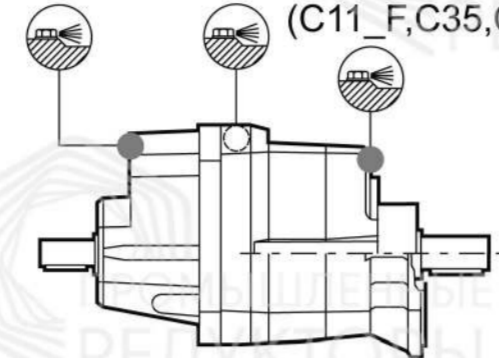
_S

B52

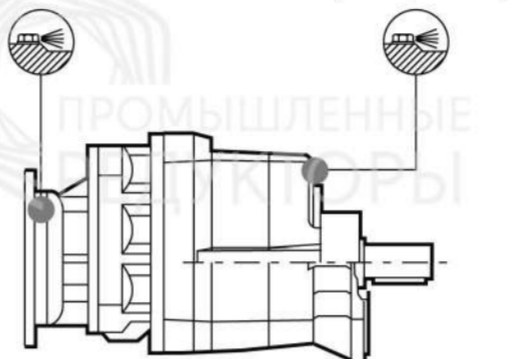
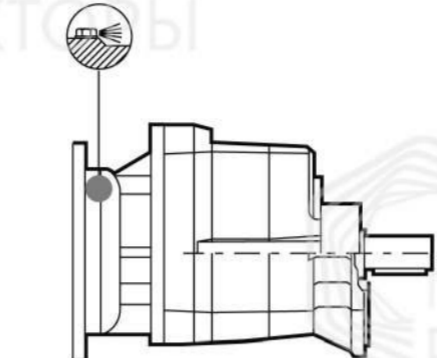
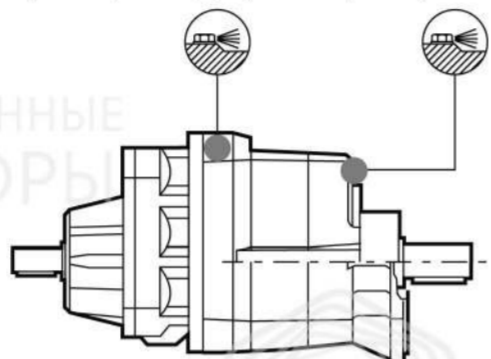


W = Default

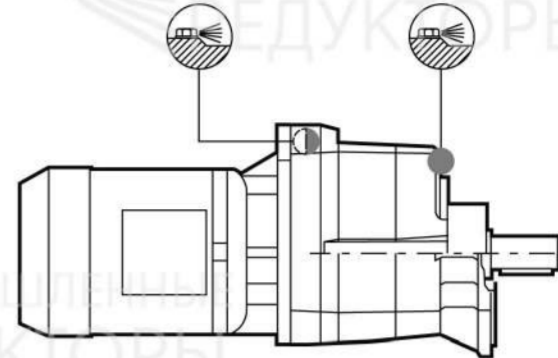
(C21, C31) (C11_U)
(C11_F, C35, C41)



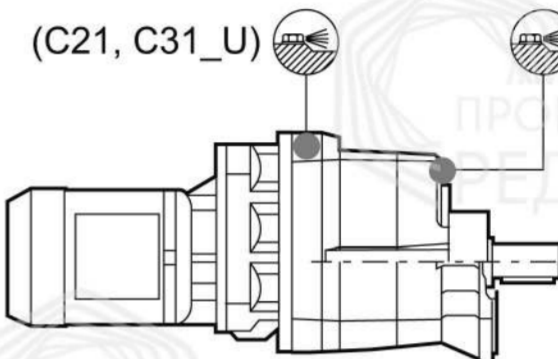
(C21, C31_U) (C21, C31_F)
(C35, C41)



(C11_U) (C11_F)
(C21, C31_U) (C21, C31_F, C35, C41)



(C21, C31_U) (C21, C31_F)
(C35, C41)



C11-C21-C31

2x

2x

3x

C35-C41

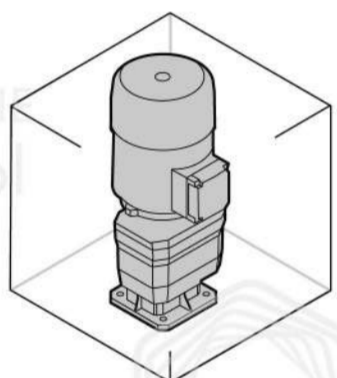
C21-C31

3x

4x

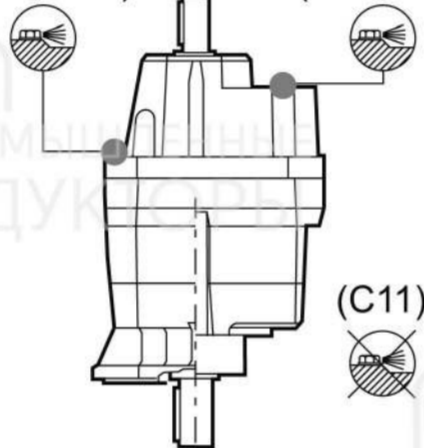
C35-C41

V1

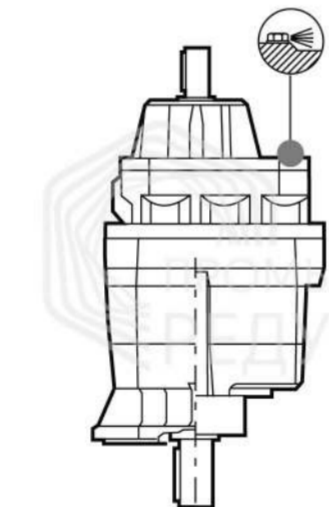


W = Default

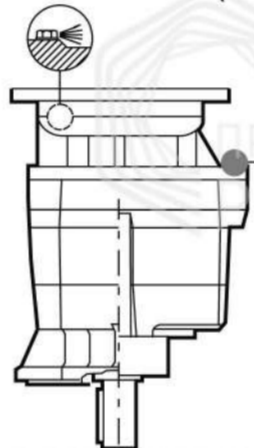
(C21, C31) (C35, C41)



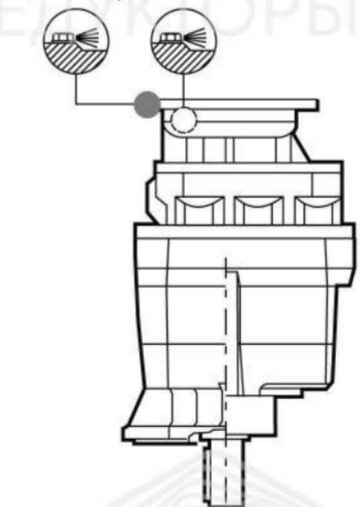
(C11)



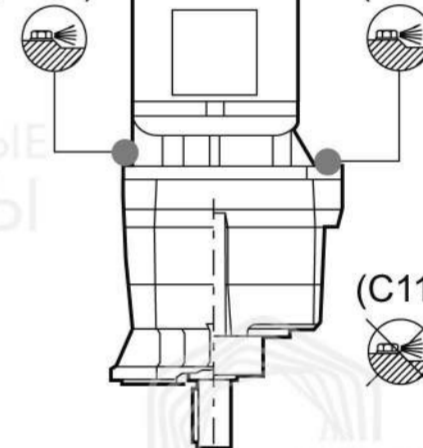
(C35, C41)



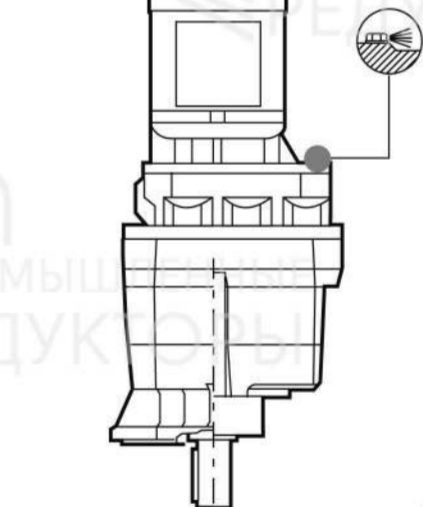
(C35, C41)



(C21, C31) (C35, C41)



(C11)



C11-C21-C31

2x

2x

3x

C35-C41

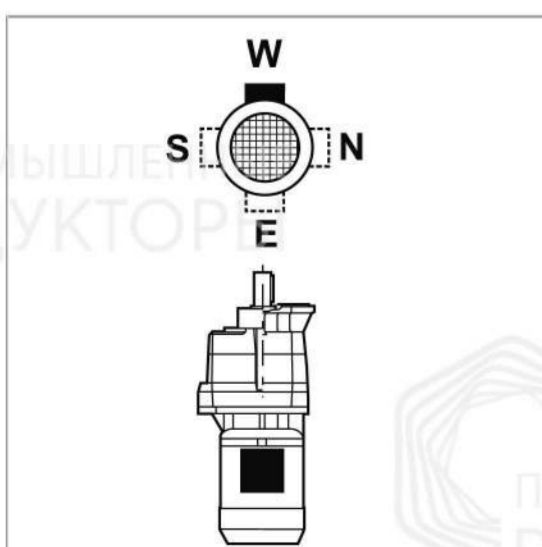
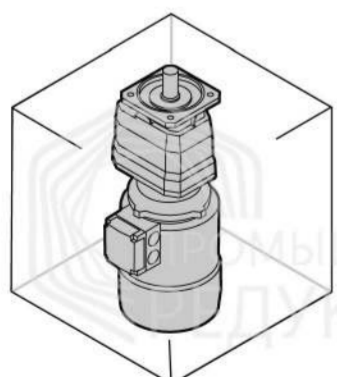
C21-C31

3x

4x

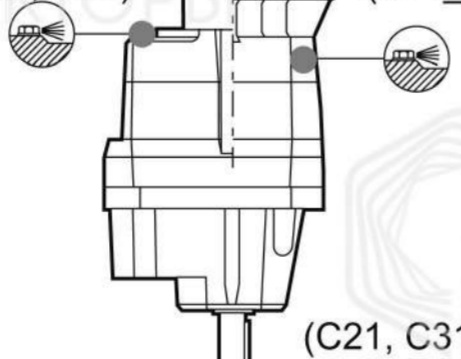
C35-C41

V3



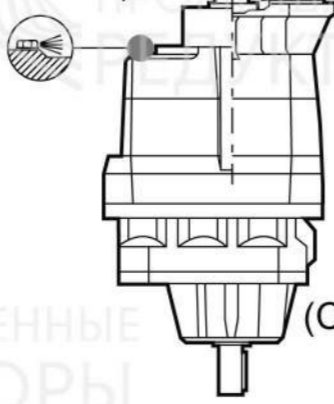
W = Default

(C11_F) (C11_U)
(C21, C31_F) (C21, C31_U)
(C35, C41)



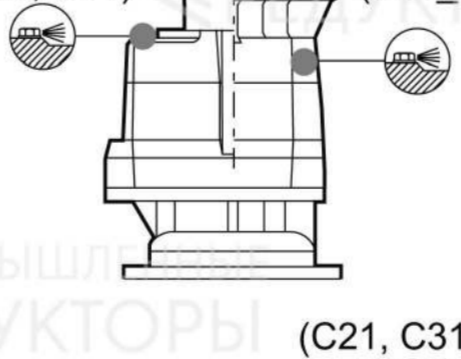
(C21, C31_U)

(C21, C31_F) (C21, C31_U)
(C35, C41)



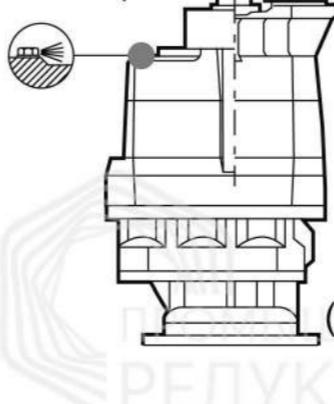
(C21, C31_U)

(C11_F) (C11_U)
(C21, C31_F) (C21, C31_U)
(C35, C41)



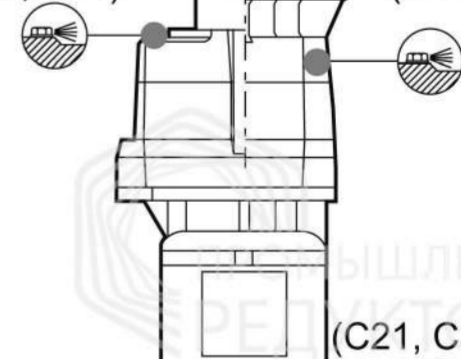
(C21, C31_U)

(C21, C31_F) (C21, C31_U)
(C35, C41)



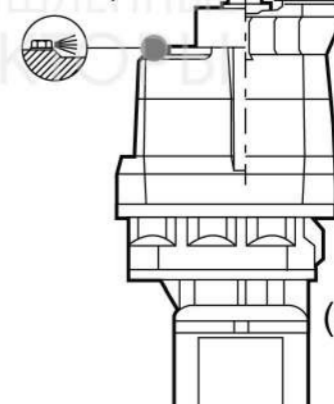
(C21, C31_U)

(C11_F) (C11_U)
(C21, C31_F) (C21, C31_U)
(C35, C41)



(C21, C31_U)

(C21, C31_F) (C21, C31_U)
(C35, C41)



(C21, C31_U)

C11-C21-C31

2x

2x

3x

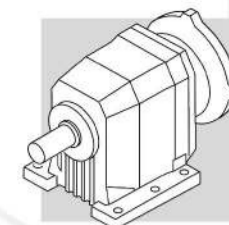
C35-C41

C21-C31

3x

4x

C35-C41



C_P

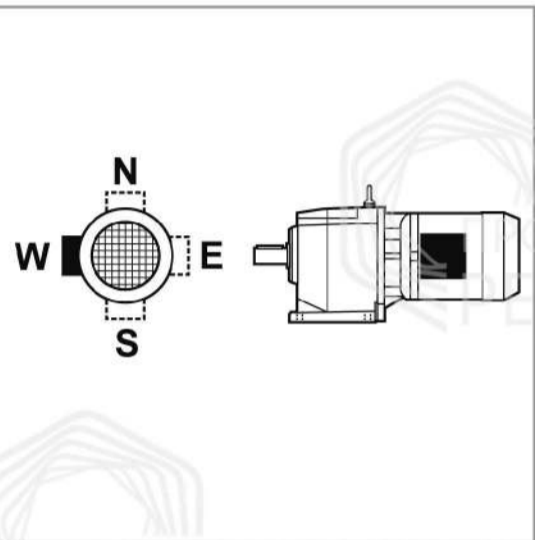
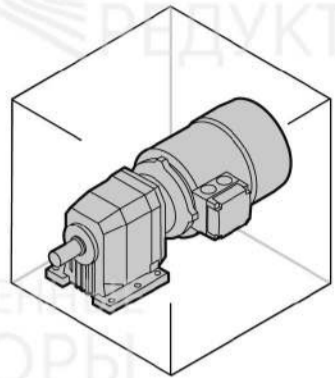
(B9)

_HS

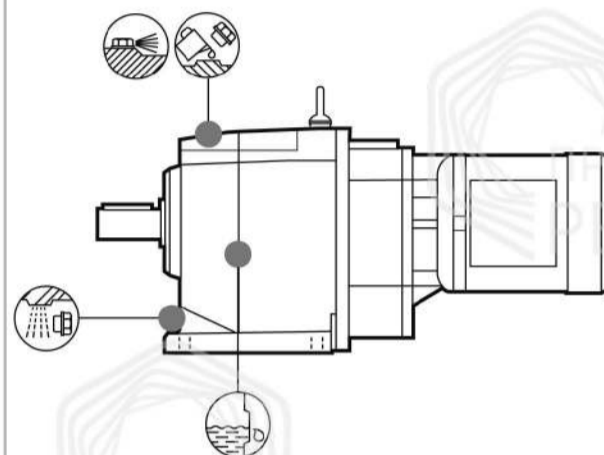
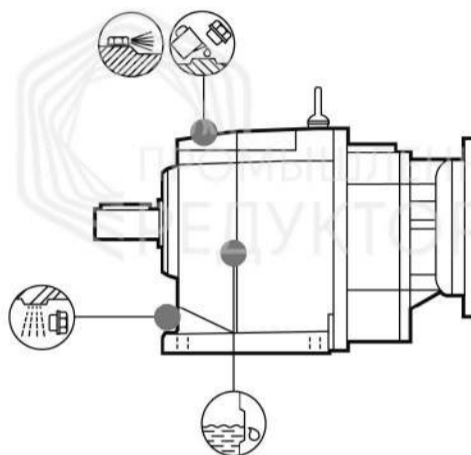
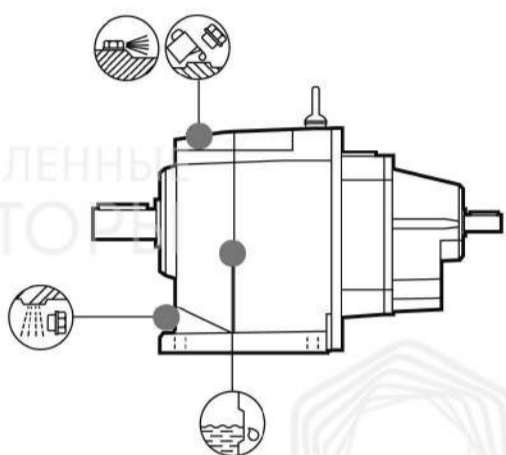
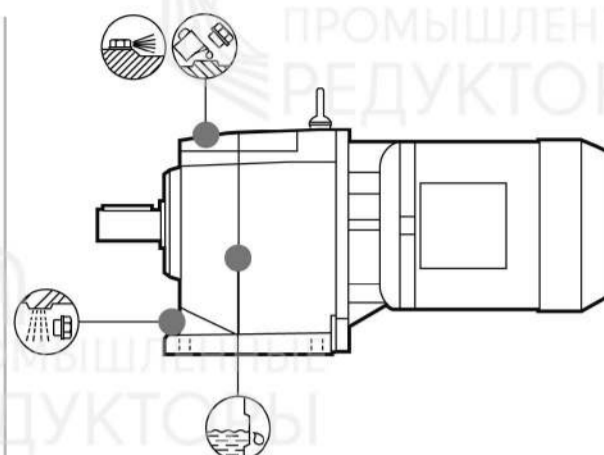
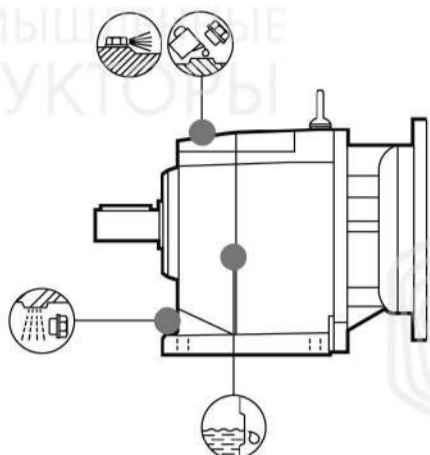
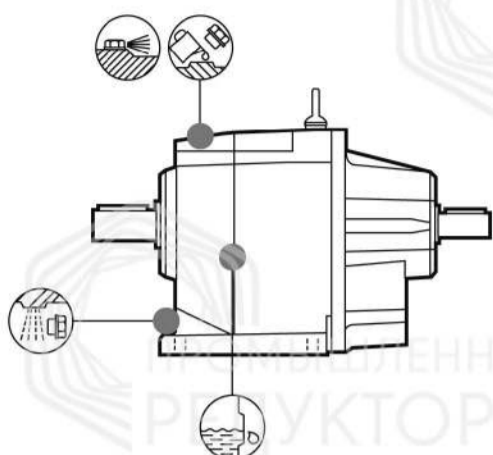
_P (IEC)

_S

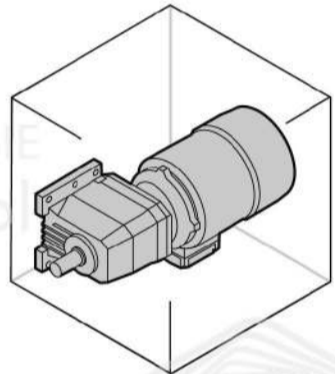
B3



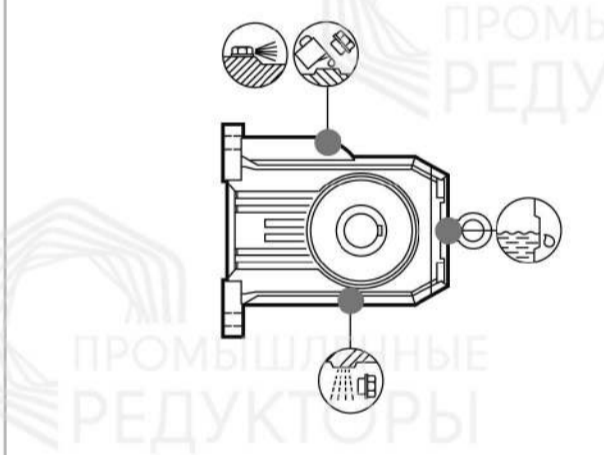
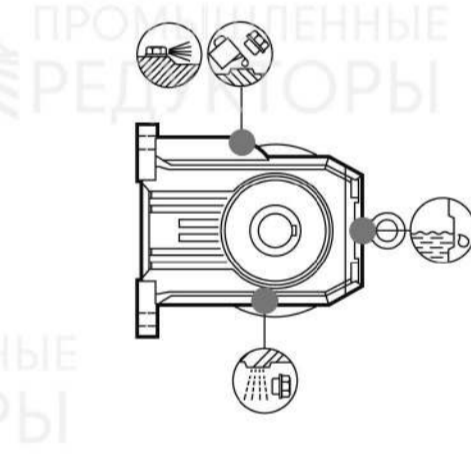
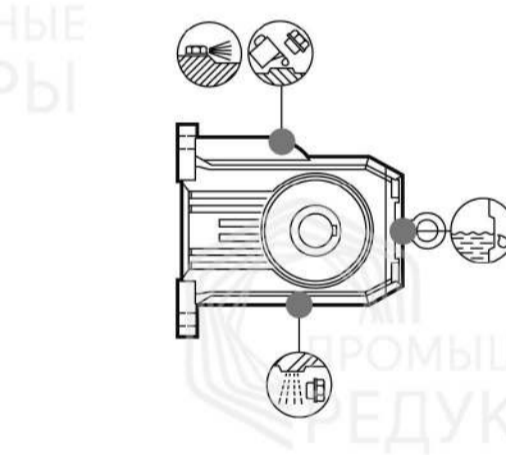
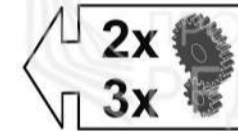
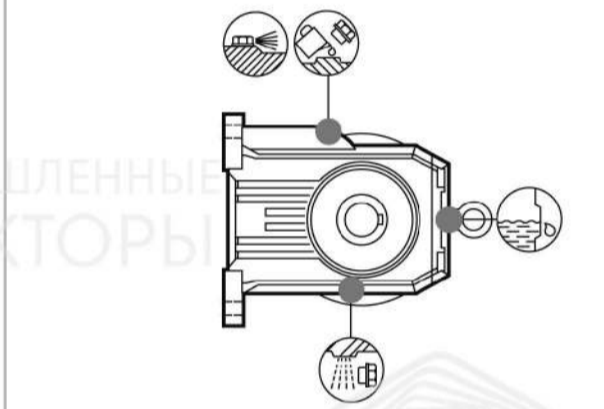
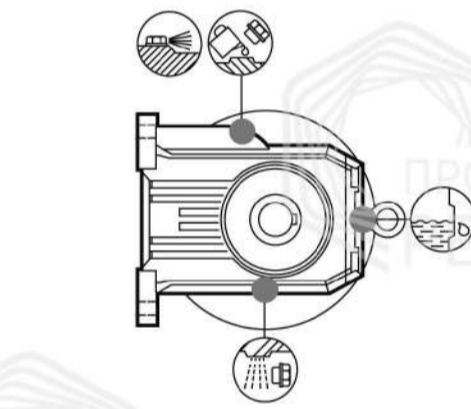
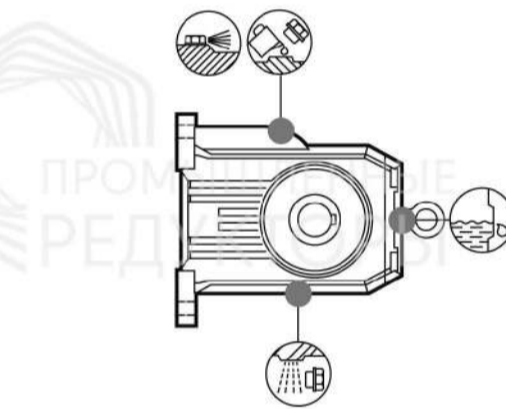
W = Default



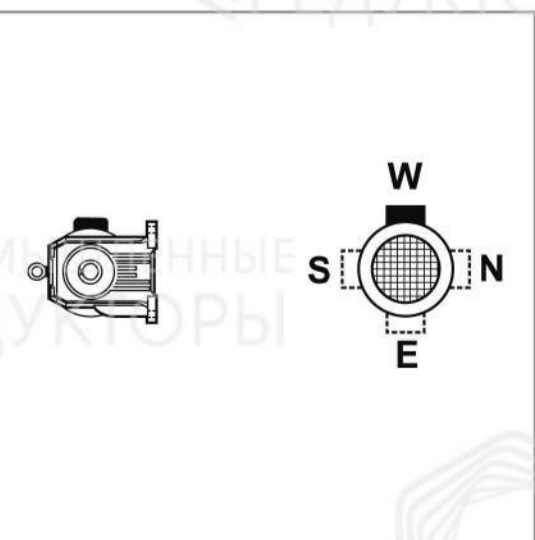
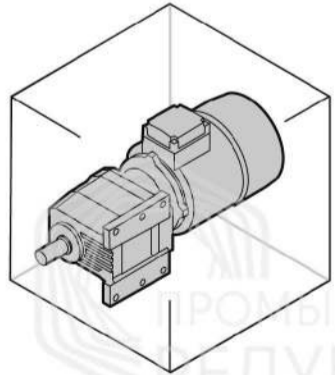
B6



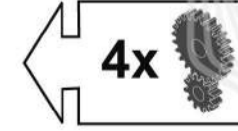
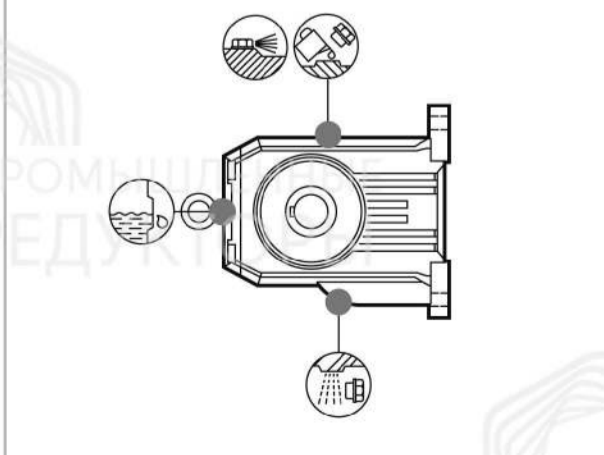
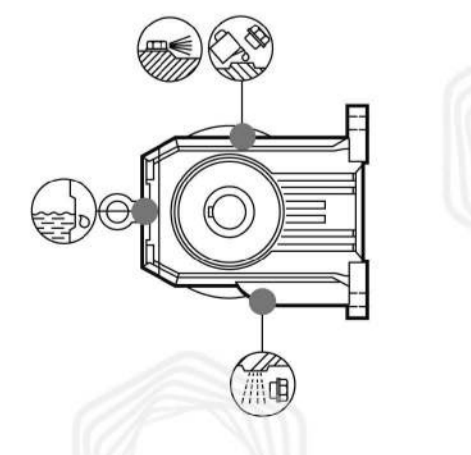
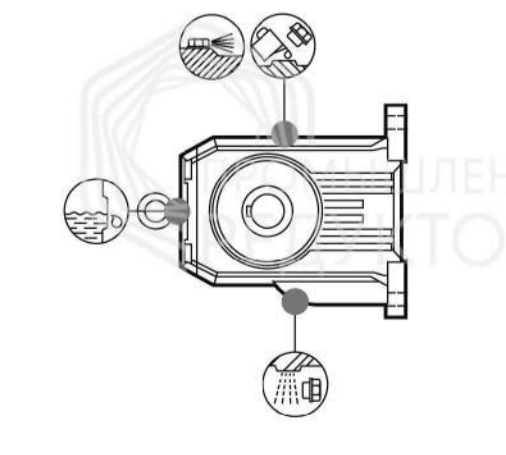
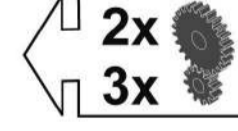
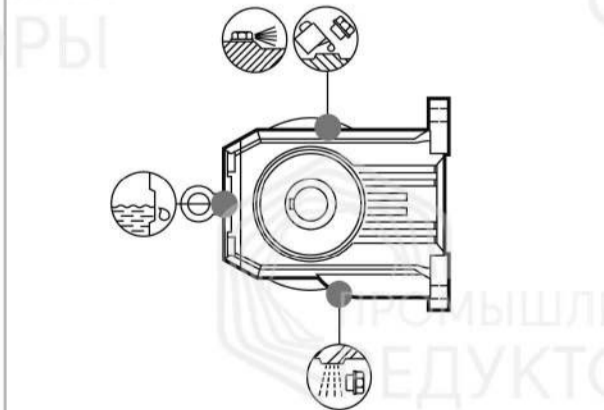
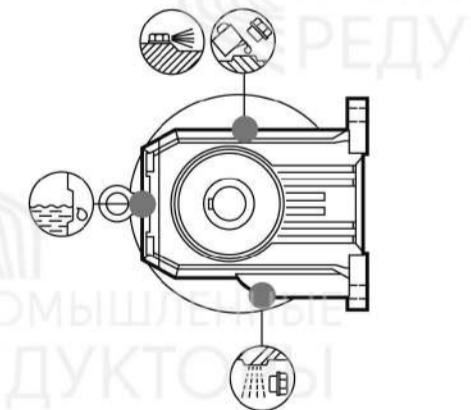
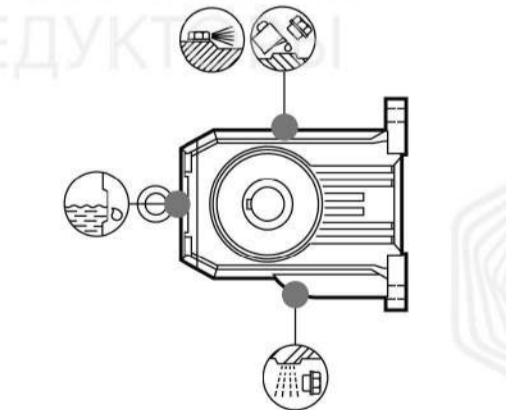
W = Default

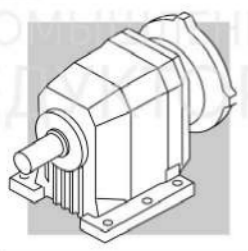


B7



W = Default





C 51...C 61

C_P

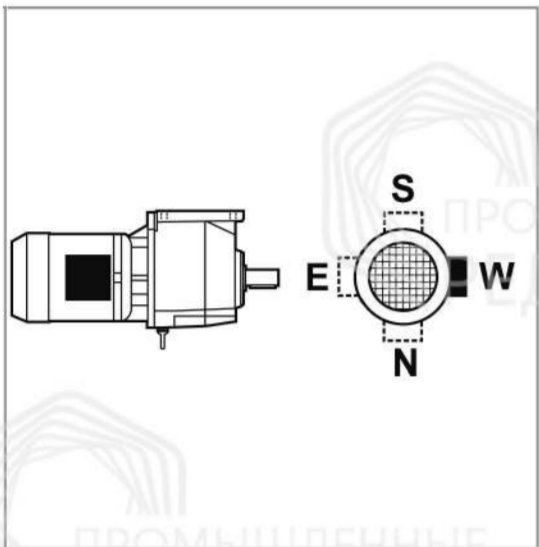
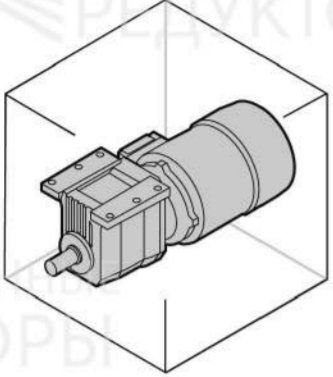
(B10)

_HS

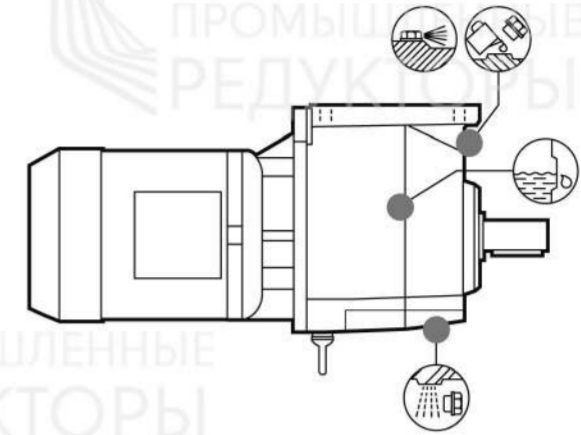
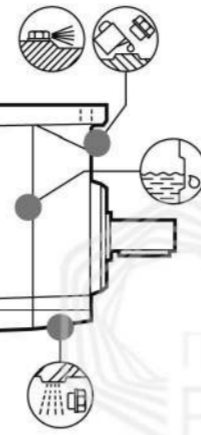
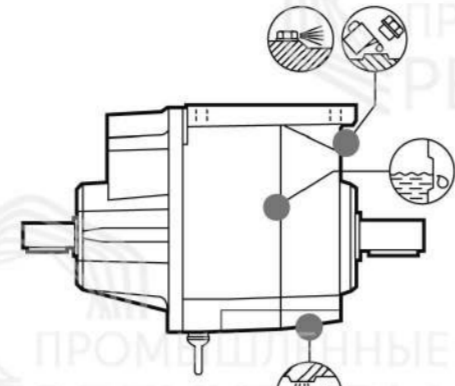
_P (IEC)

_S

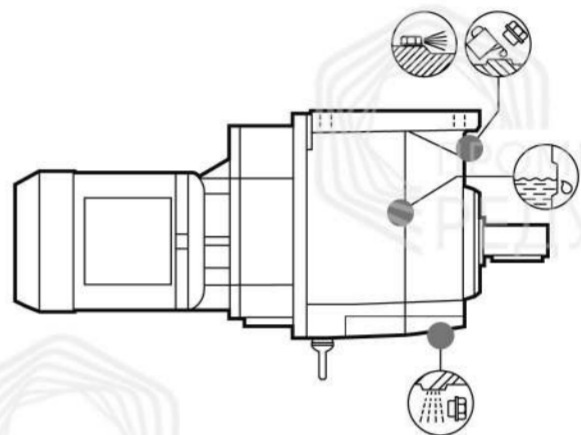
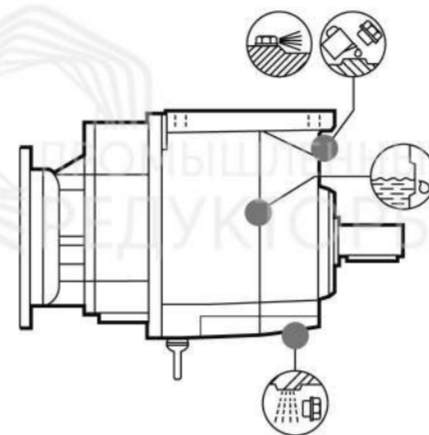
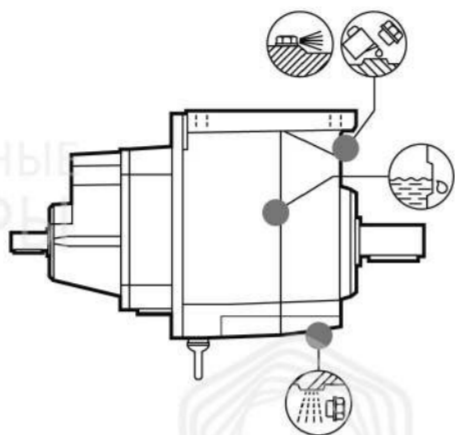
B8



W = Default

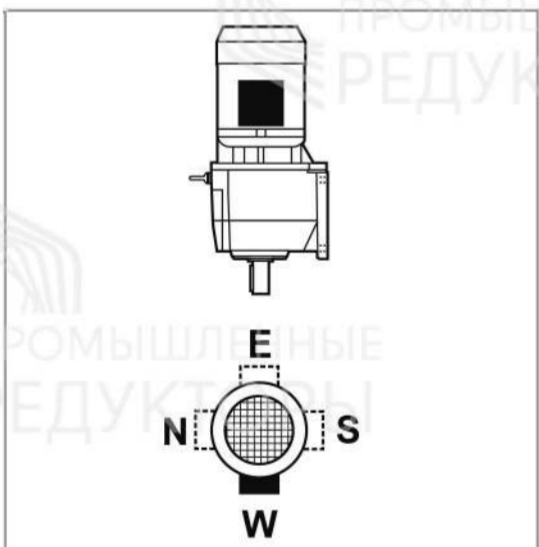
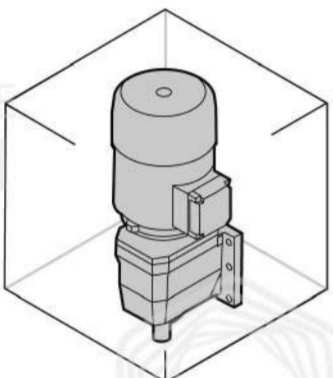


2x
3x

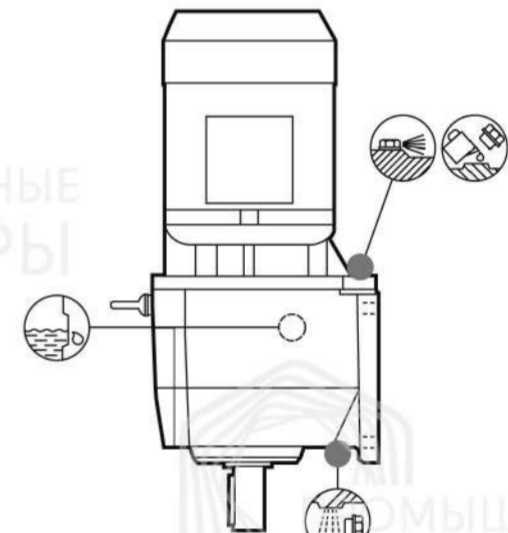
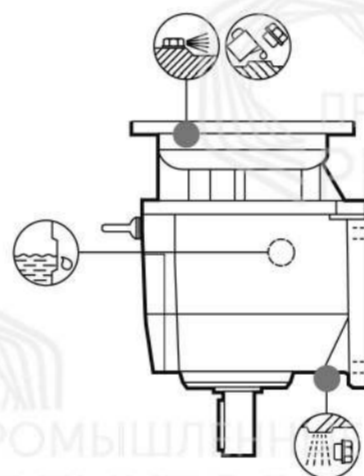
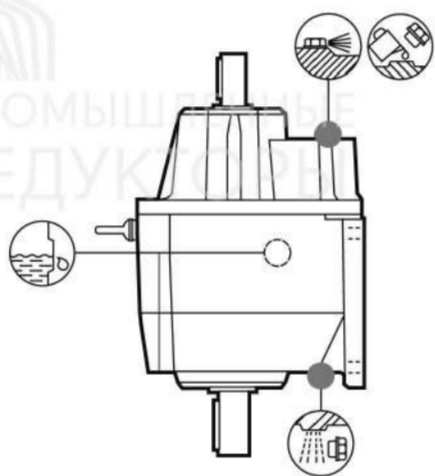


4x

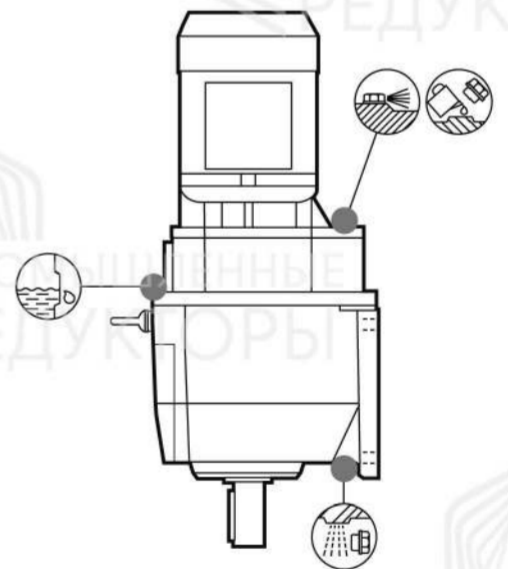
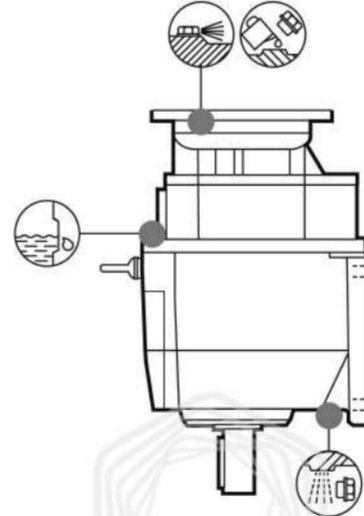
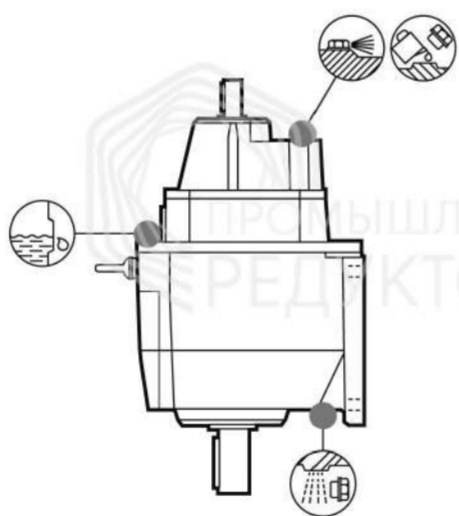
V5



W = Default

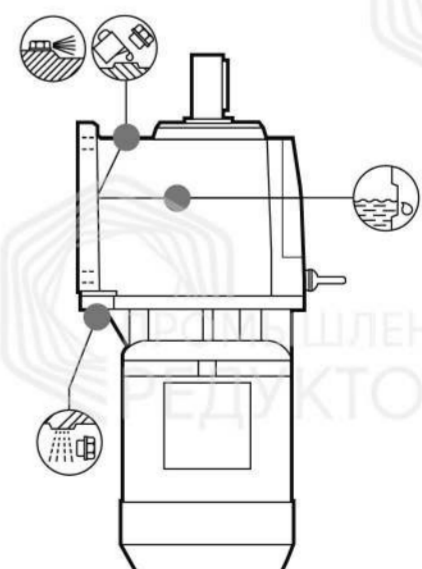
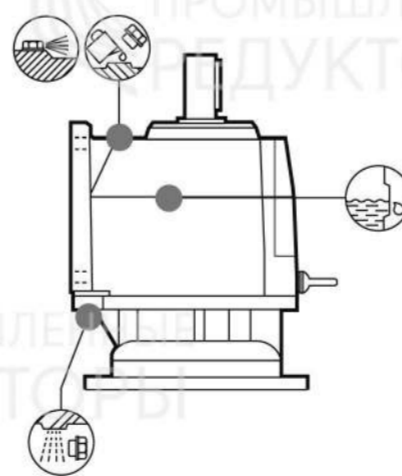
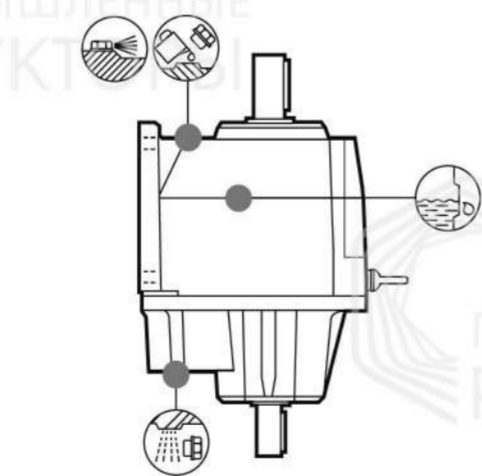
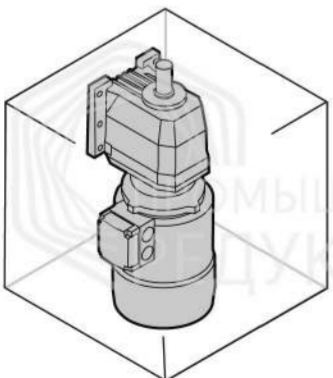


2x
3x

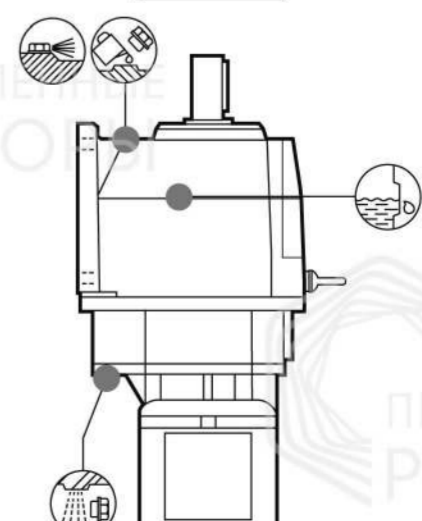
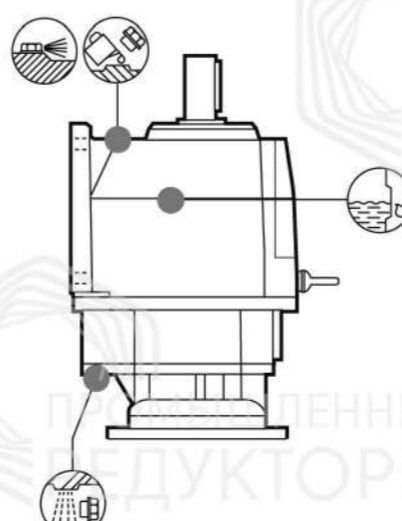
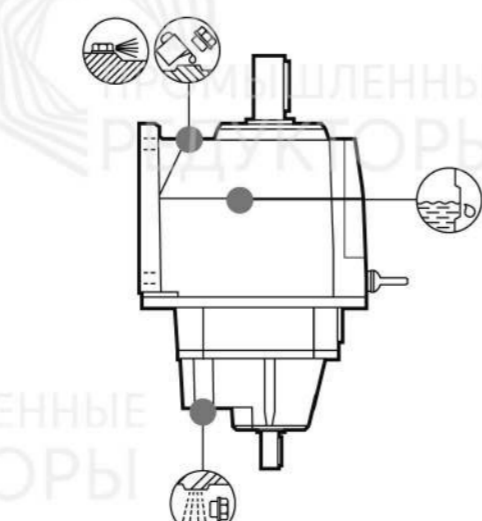


4x

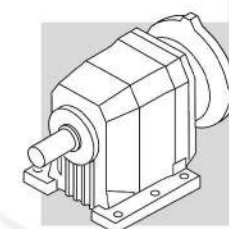
V6



2x
3x



4x



C_F

C_U

C_UF

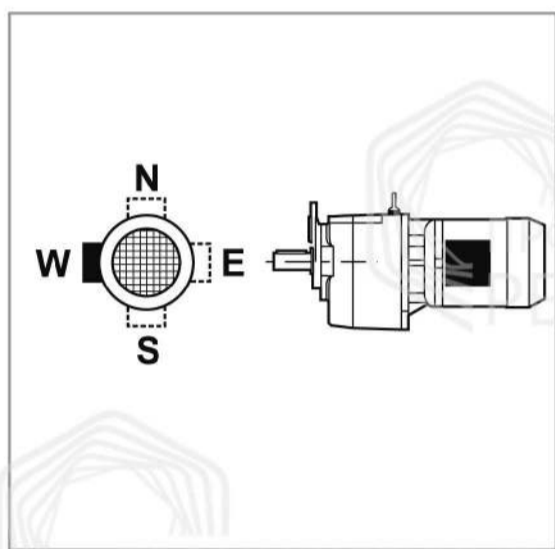
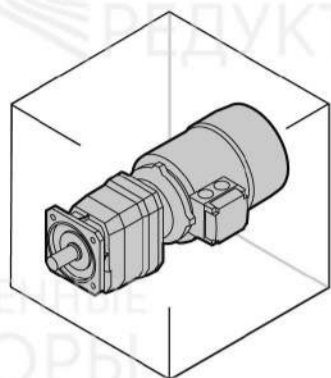
(B11)

_HS

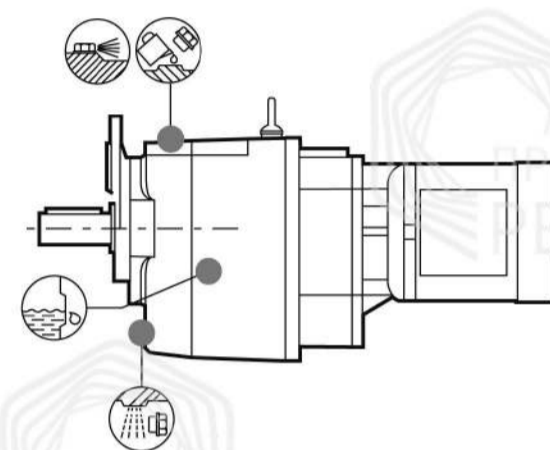
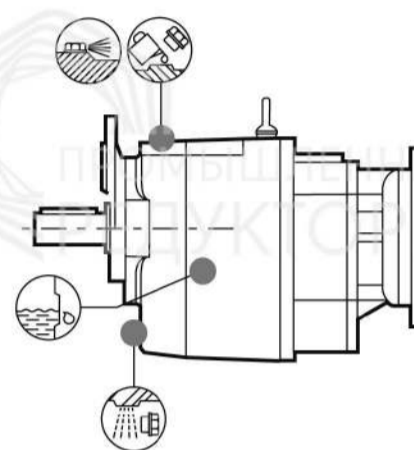
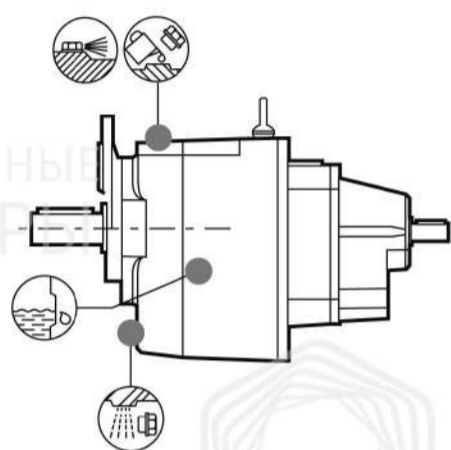
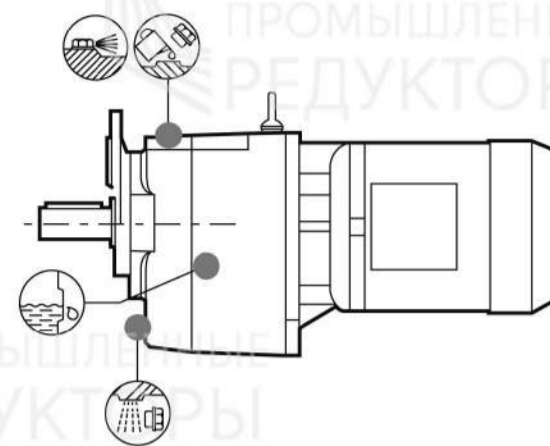
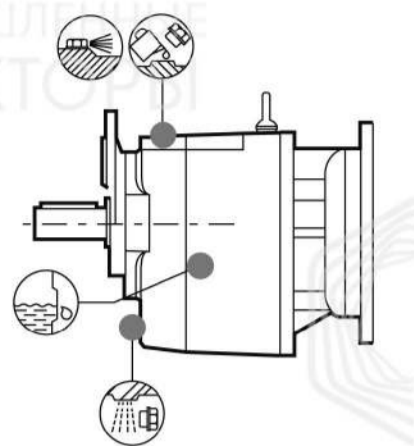
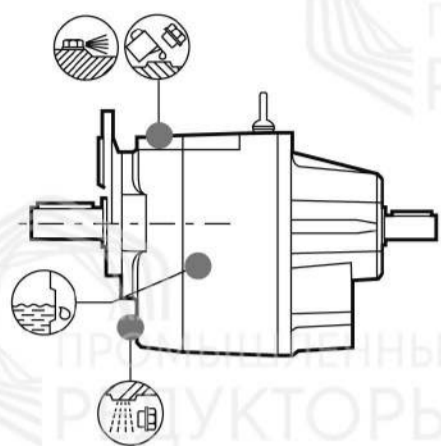
_P (IEC)

_S

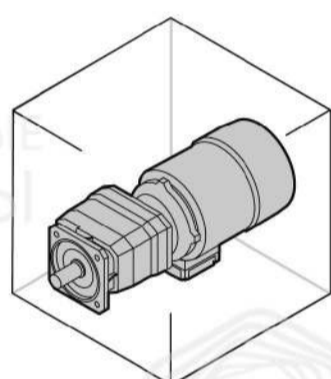
B5



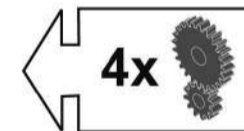
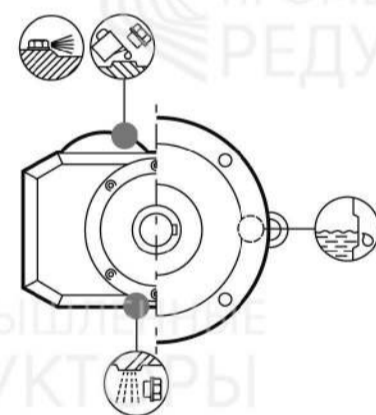
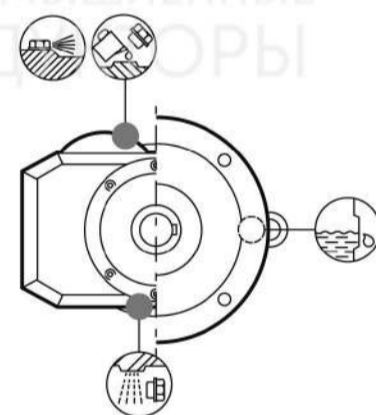
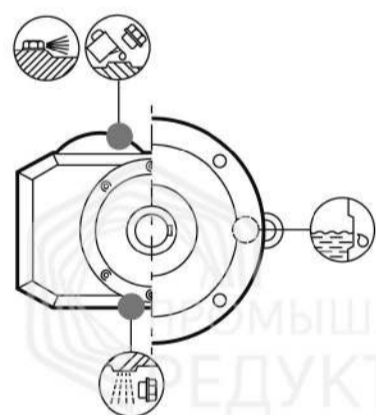
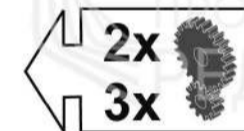
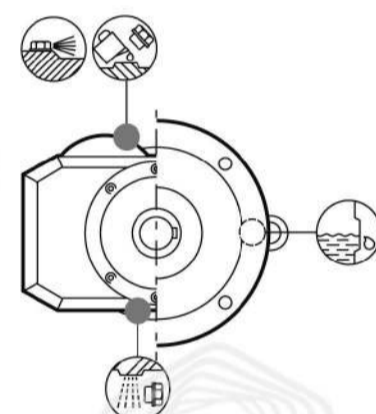
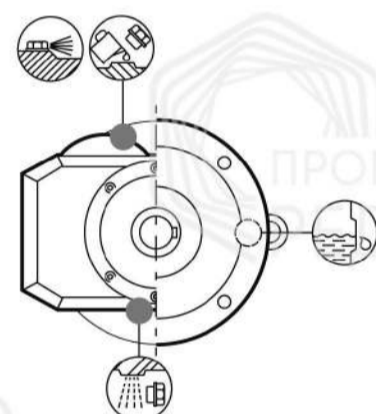
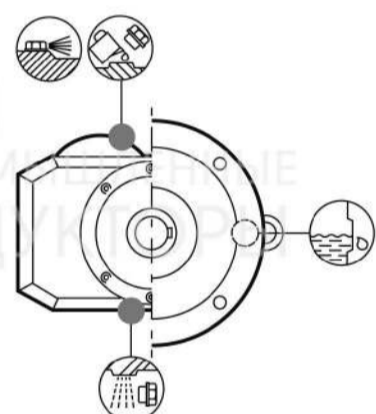
W = Default



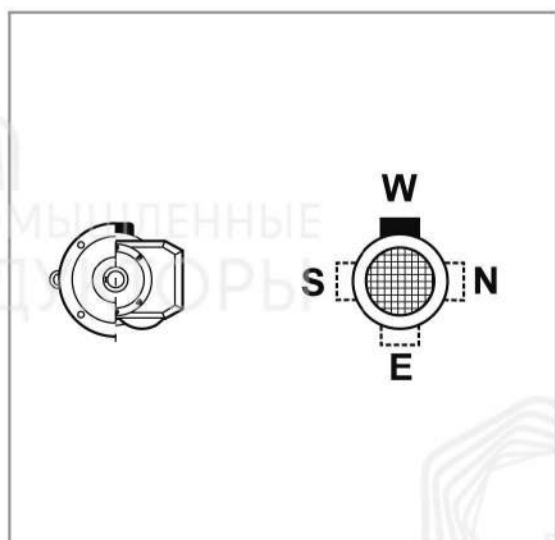
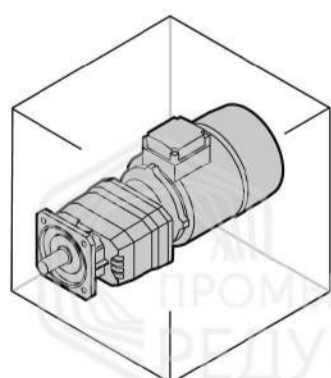
B51



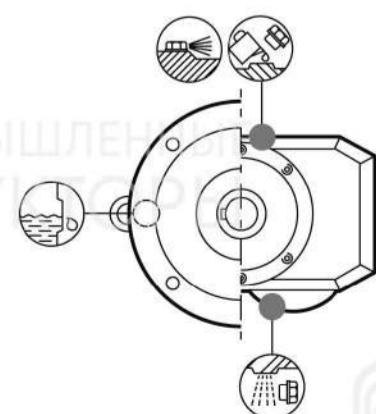
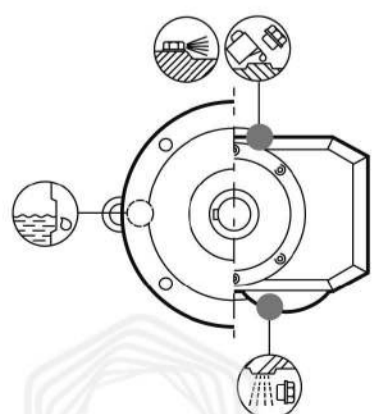
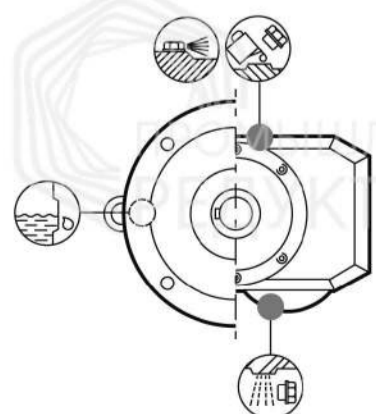
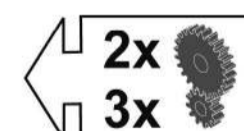
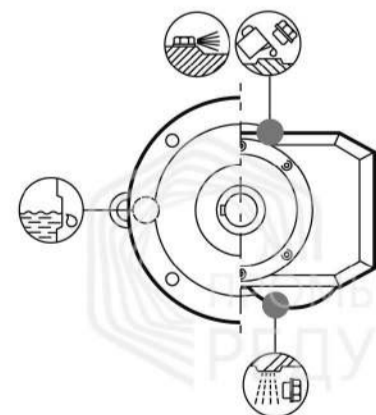
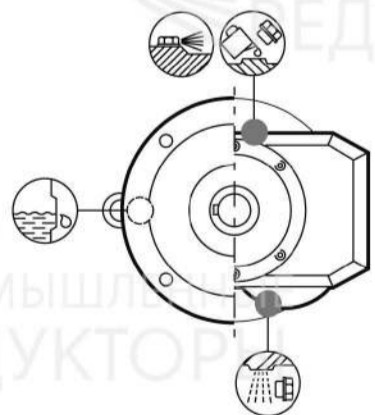
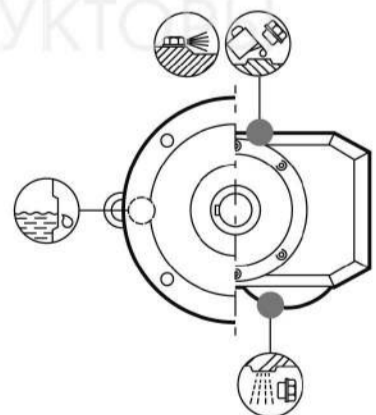
W = Default

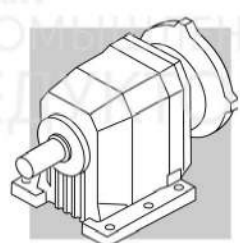


B53



W = Default





C 51...C 61

C_F

C_U

C_UF

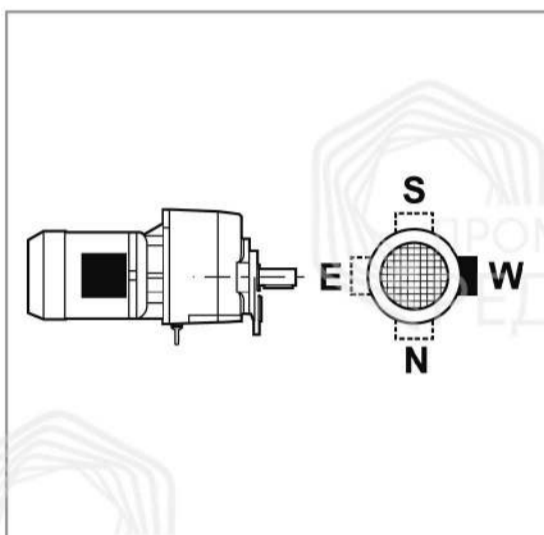
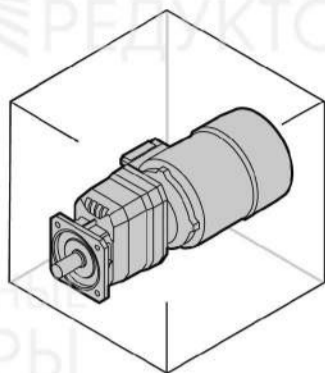
(B12)

_HS

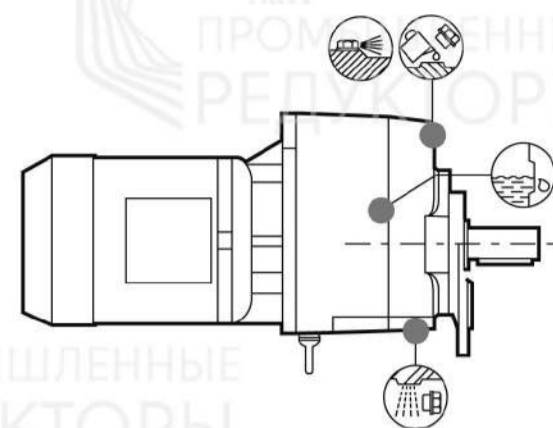
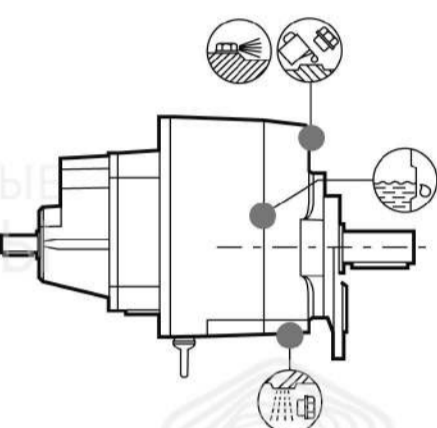
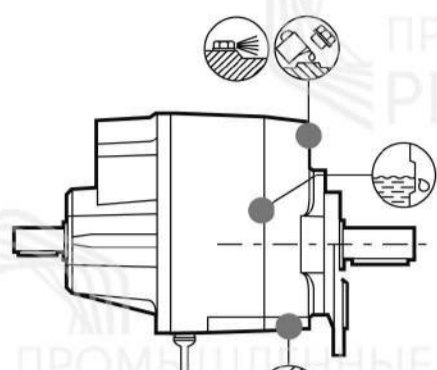
_P (IEC)

_S

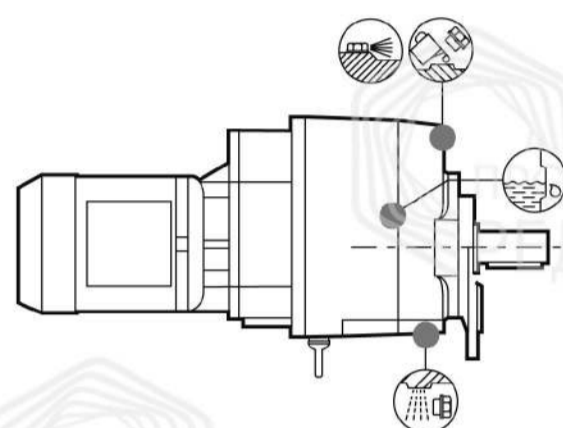
B52



W = Default

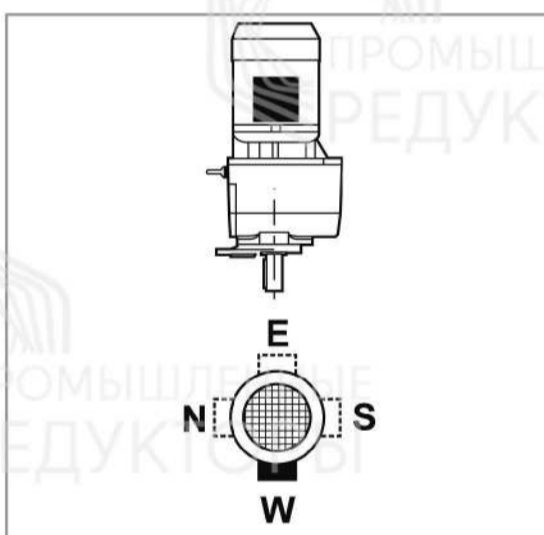
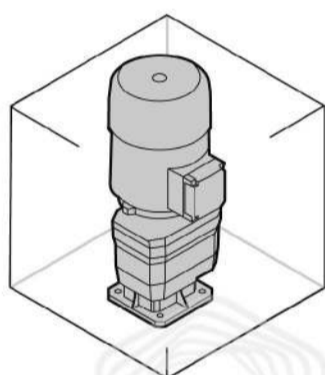


2x
3x

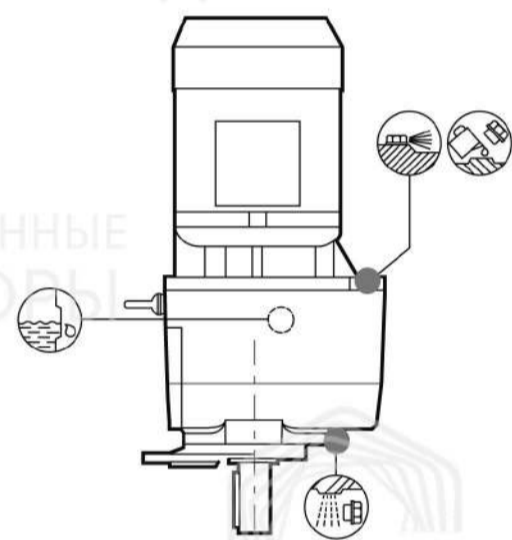
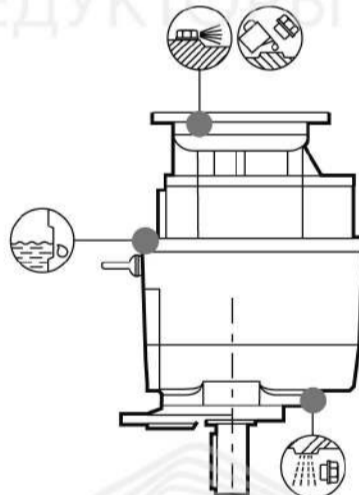
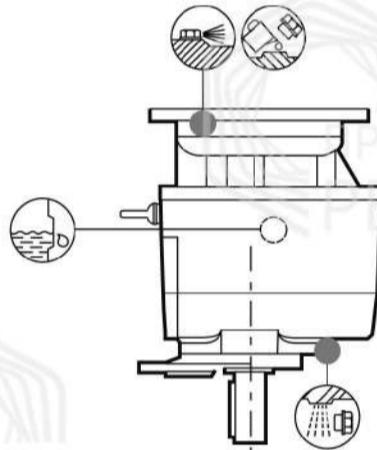
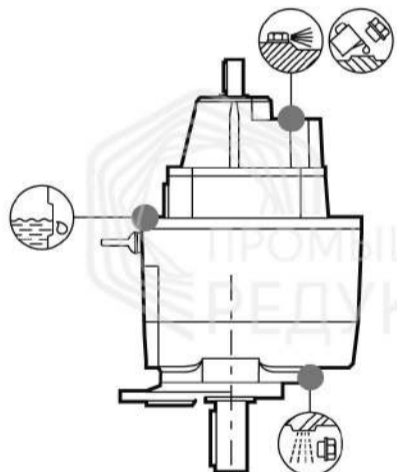
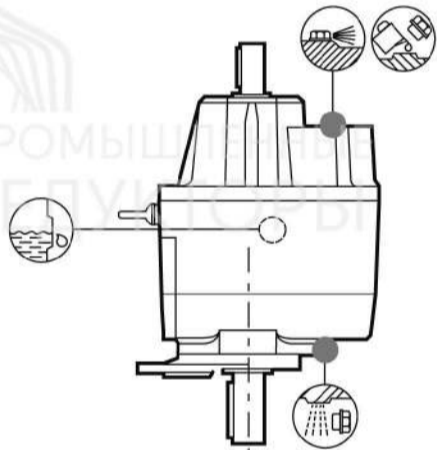


4x

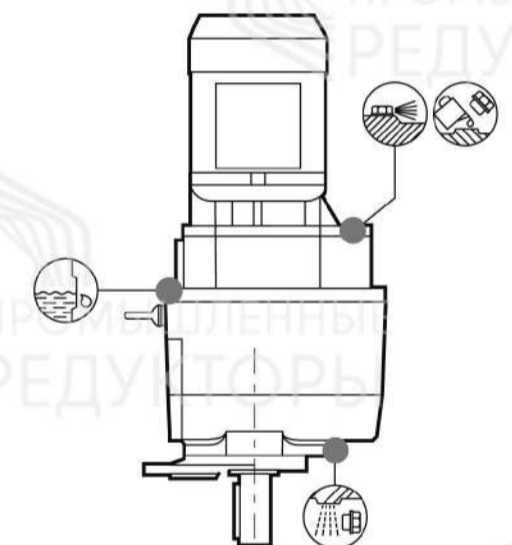
V1



W = Default

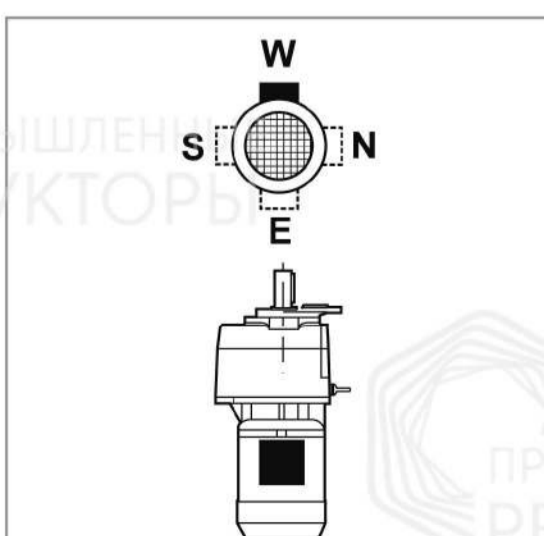
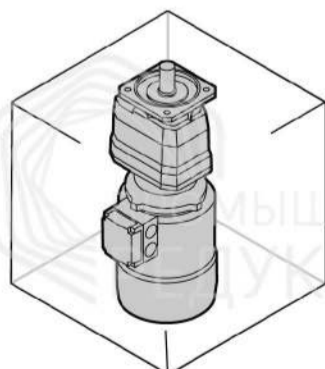


2x
3x

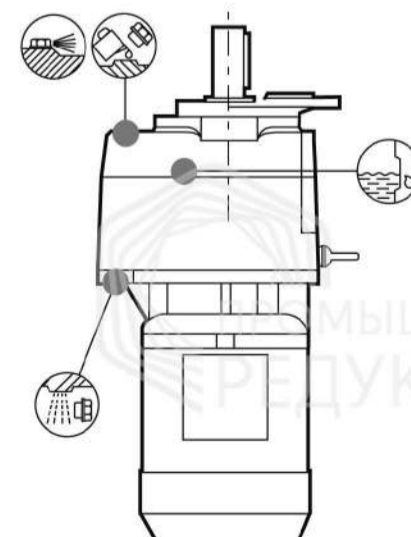
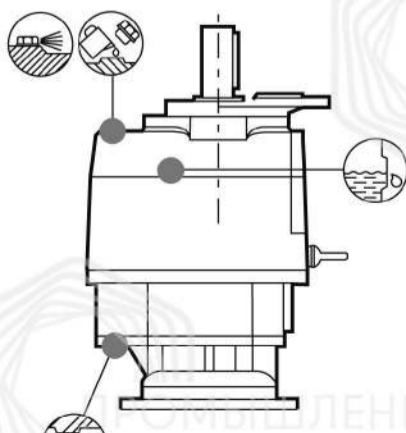
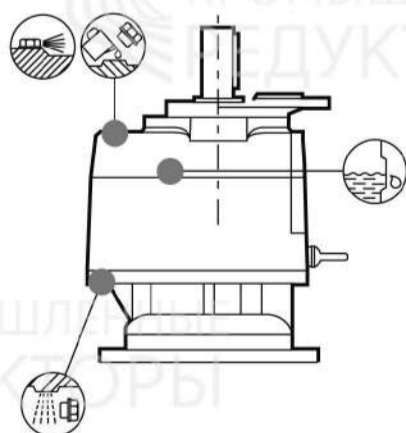
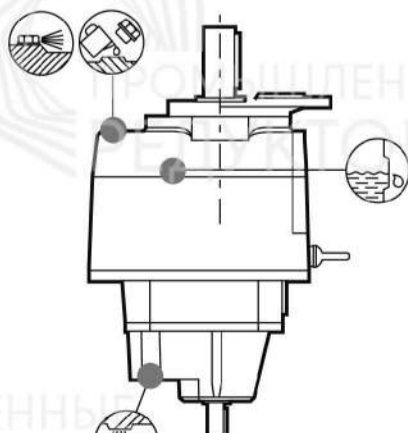
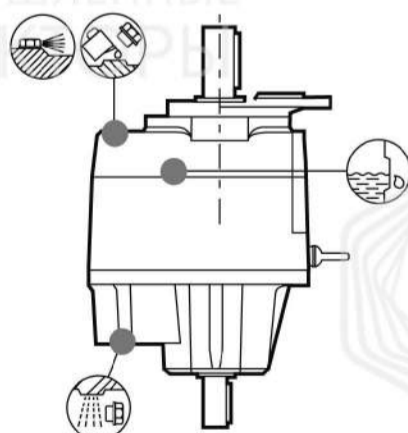


4x

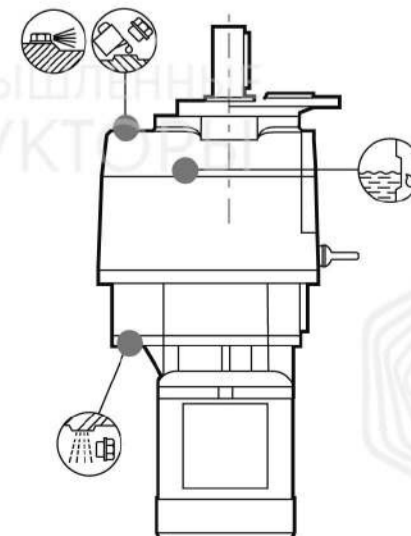
V3



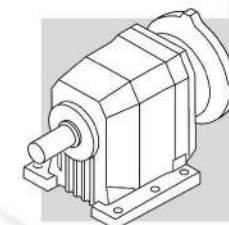
W = Default



2x
3x



4x



C_P

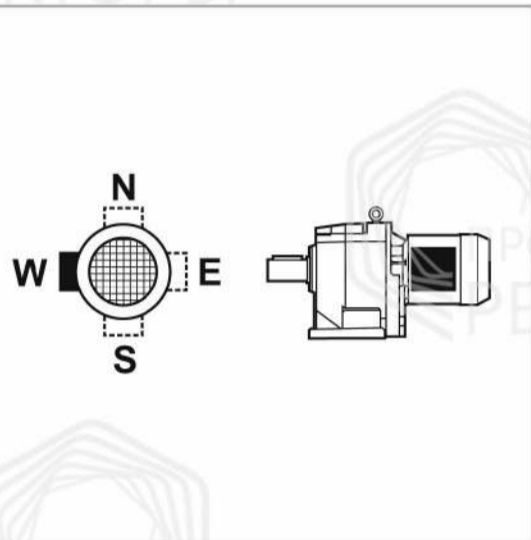
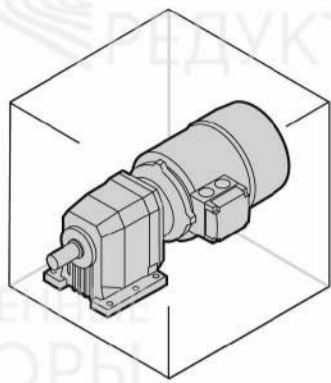
(B13)

_HS

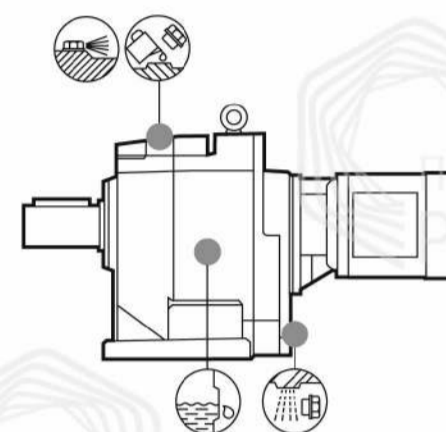
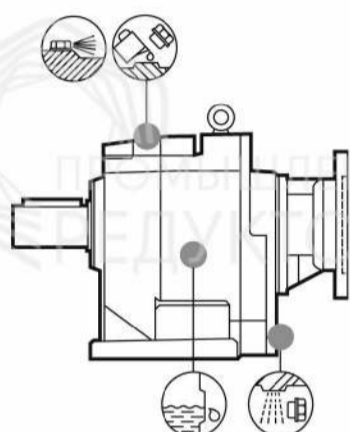
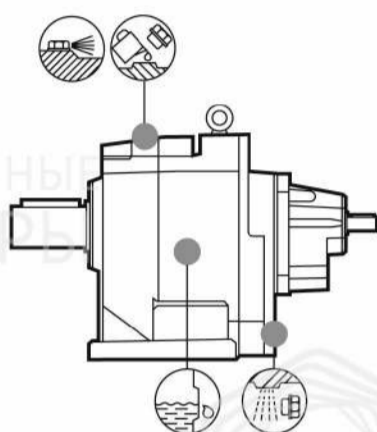
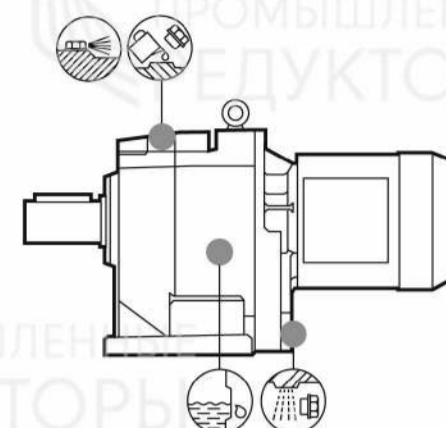
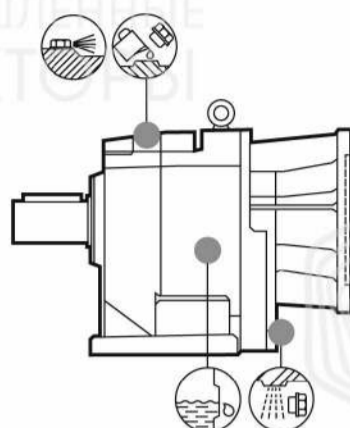
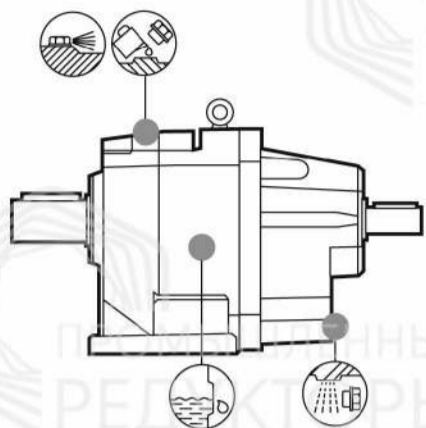
_P (IEC)

_S

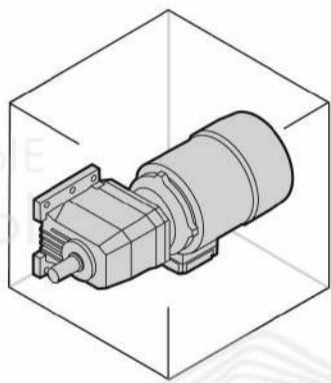
B3



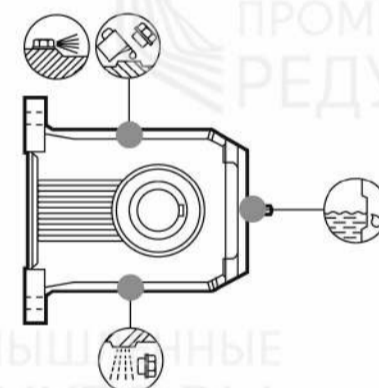
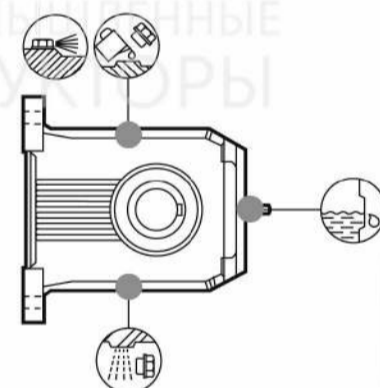
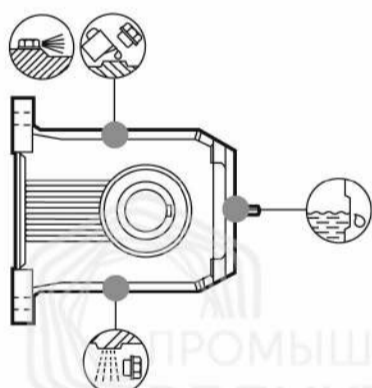
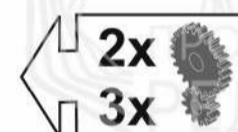
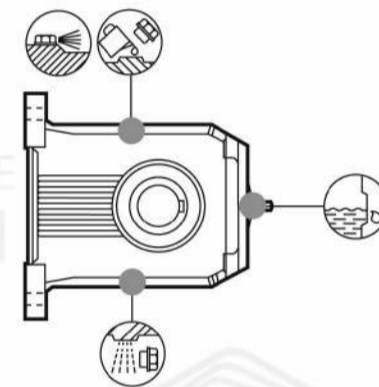
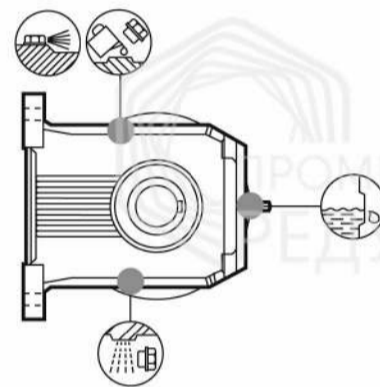
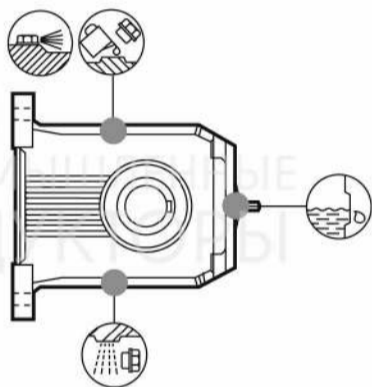
W = Default



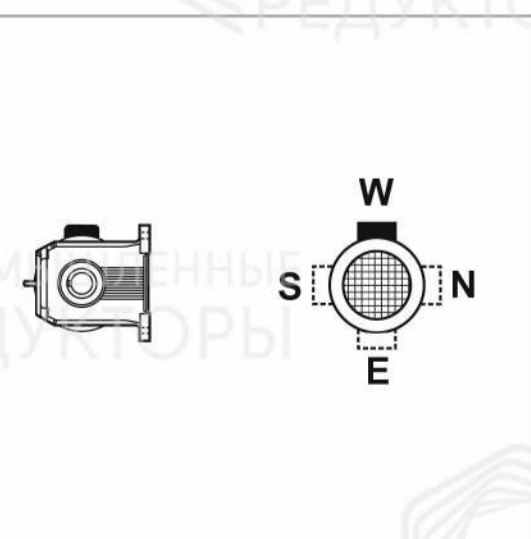
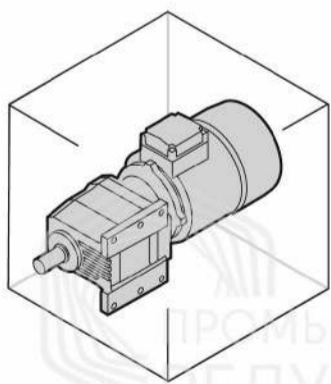
B6



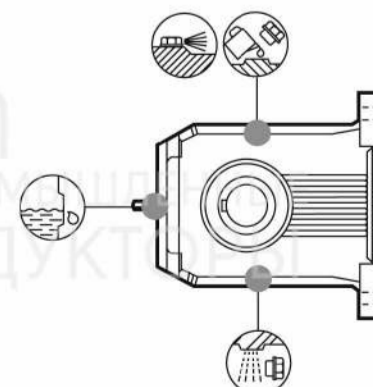
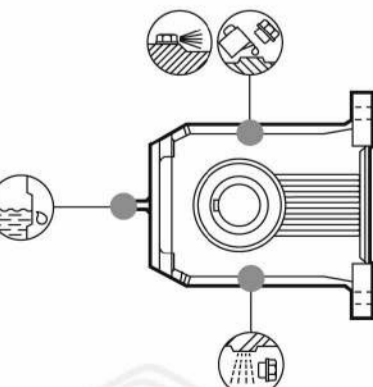
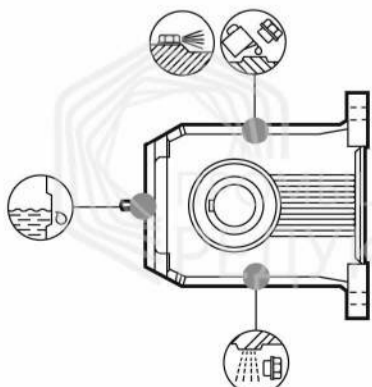
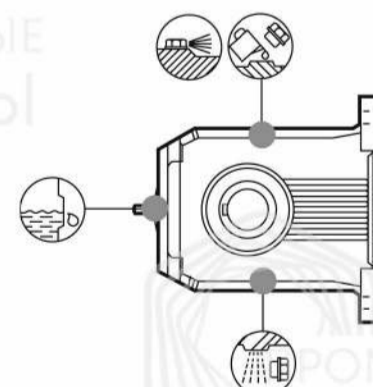
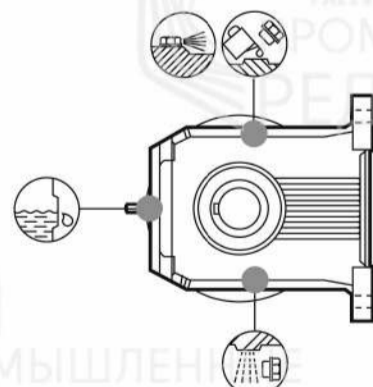
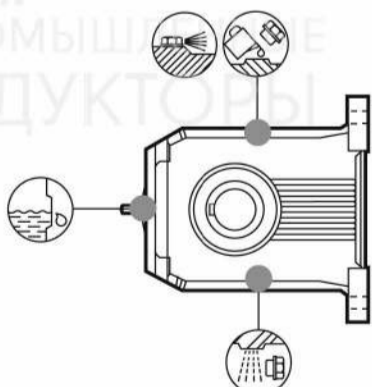
W = Default

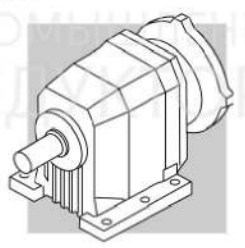


B7



W = Default





C 70...C 100

C_P

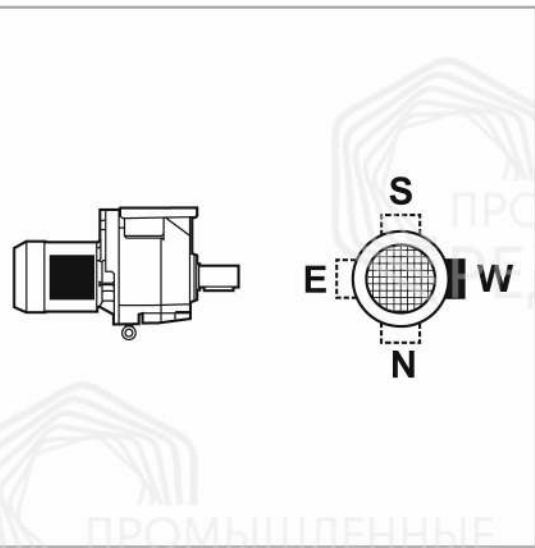
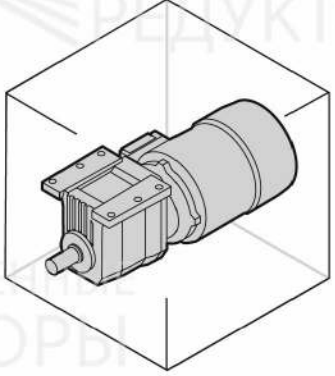
(B14)

_HS

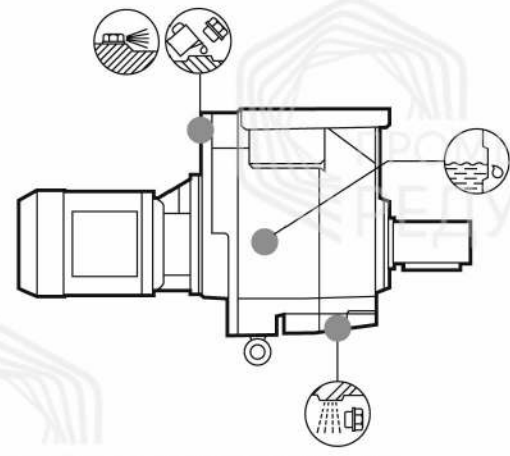
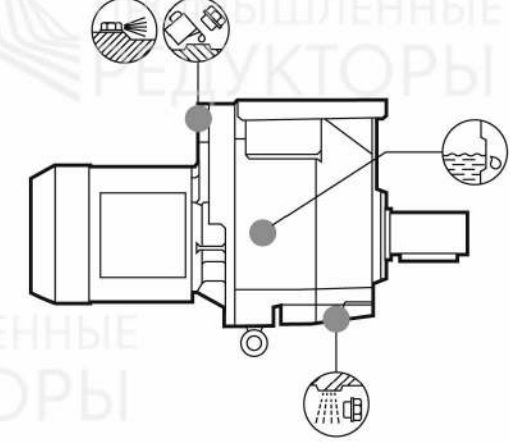
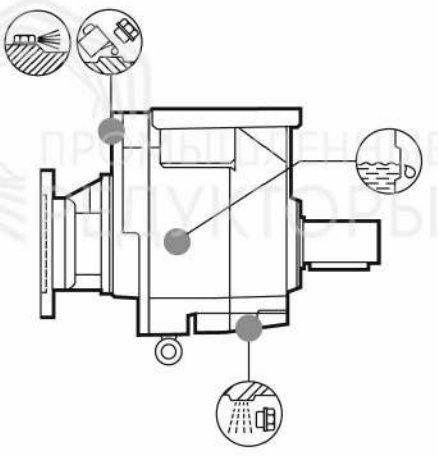
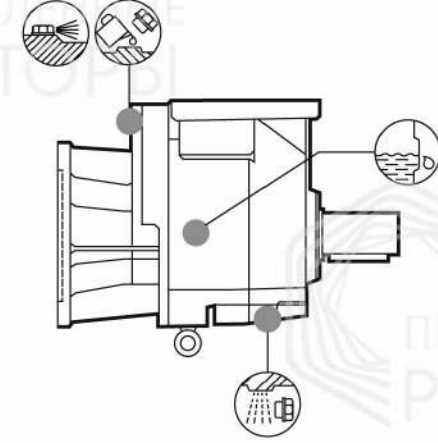
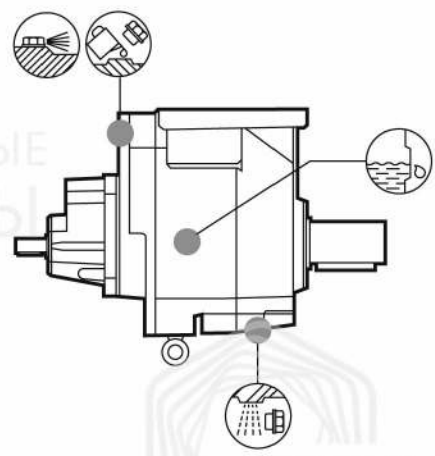
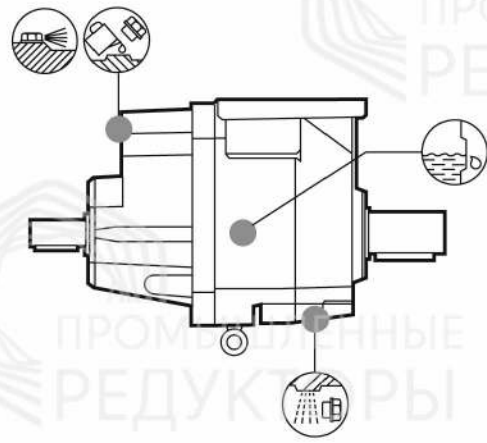
_P (IEC)

_S

B8



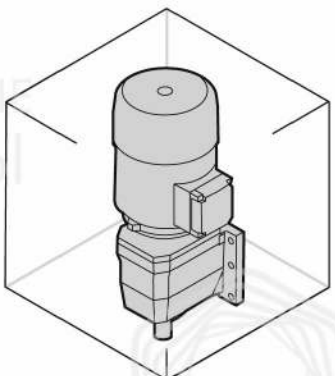
W = Default



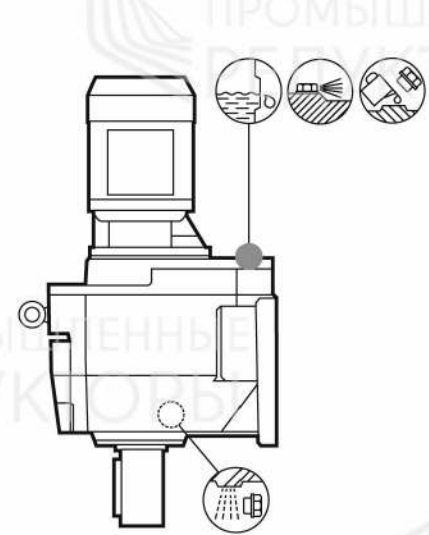
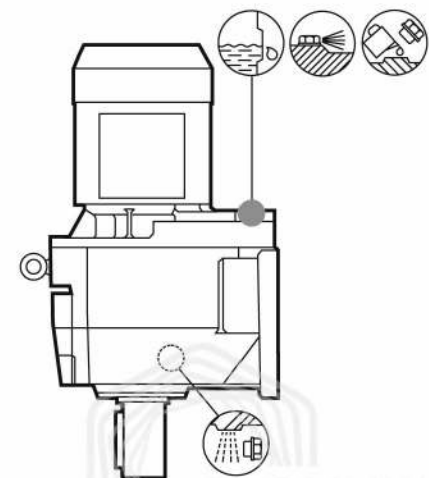
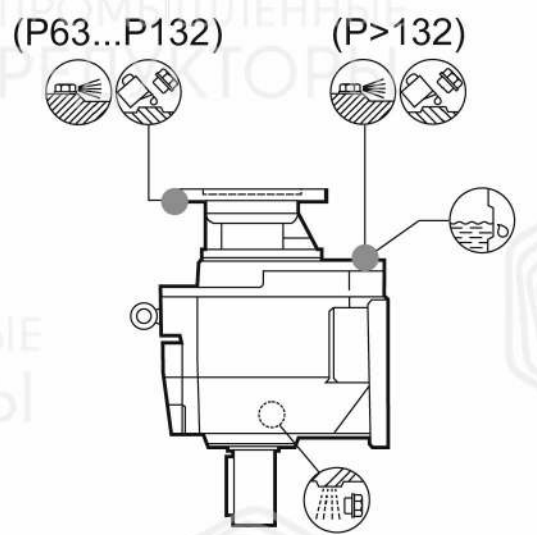
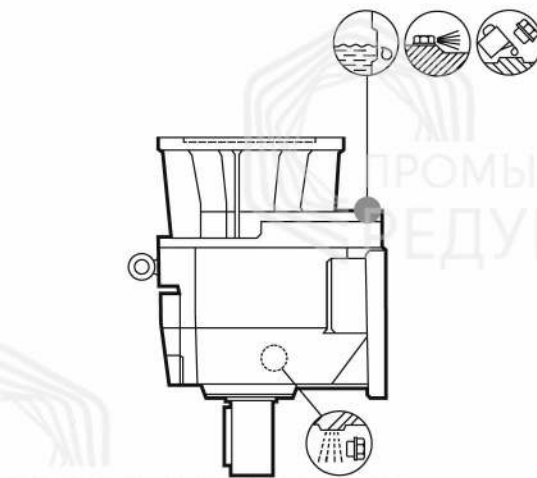
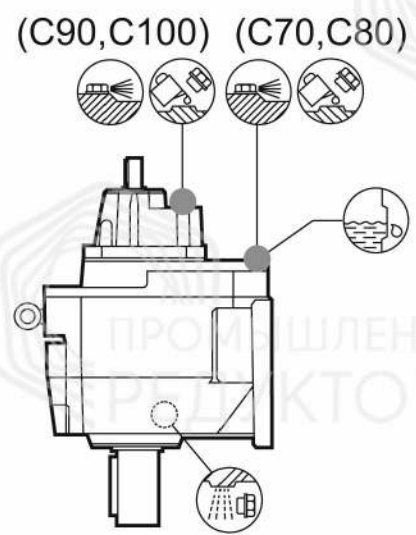
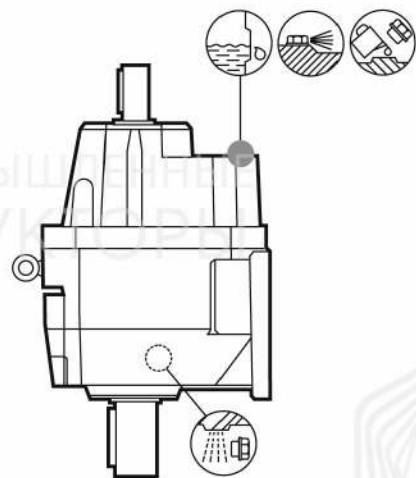
2x
3x

4x

V5



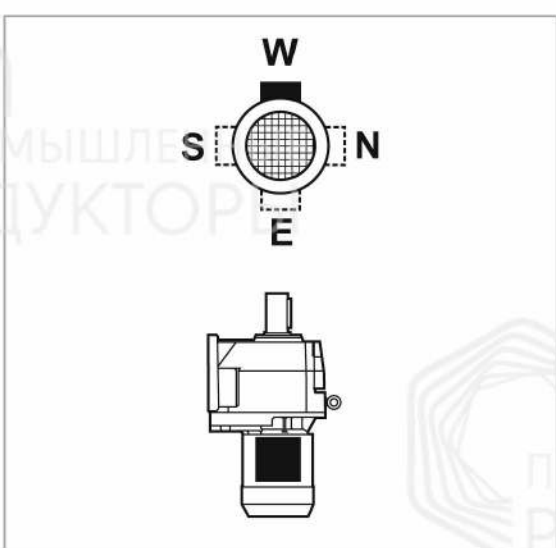
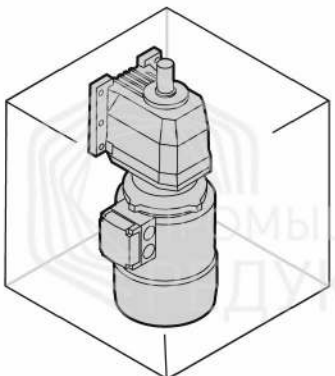
W = Default



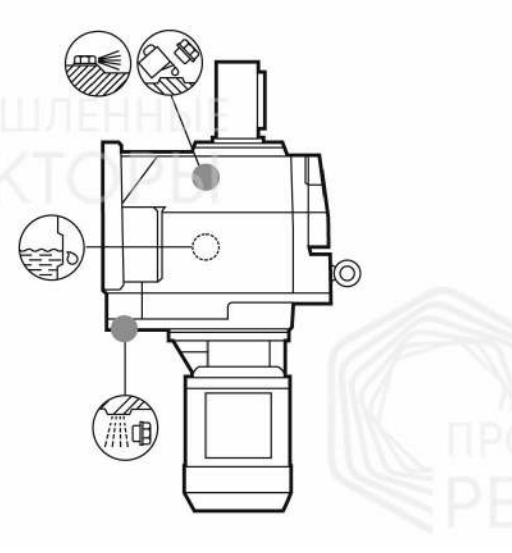
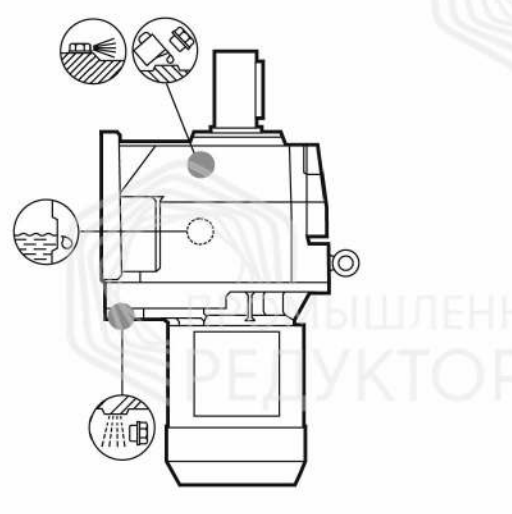
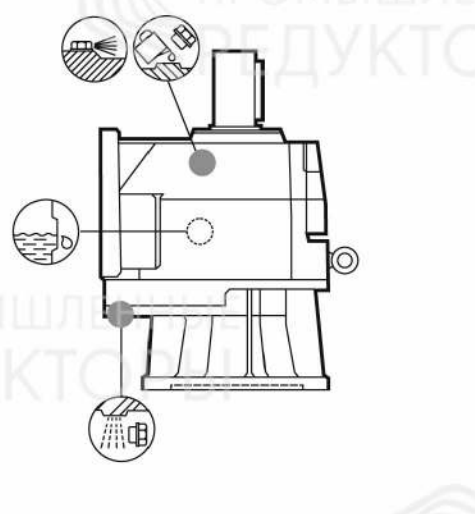
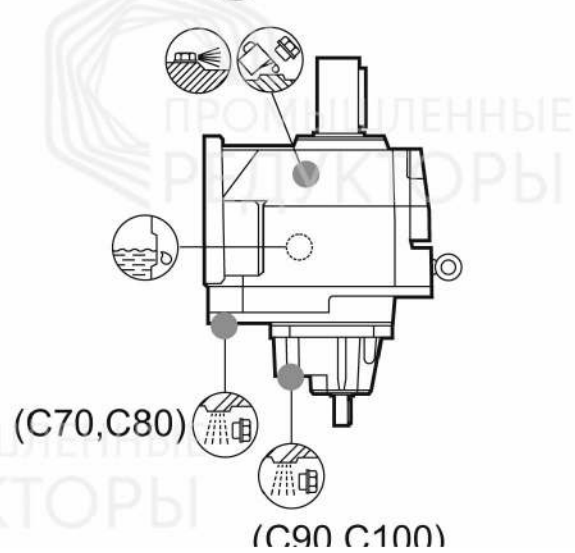
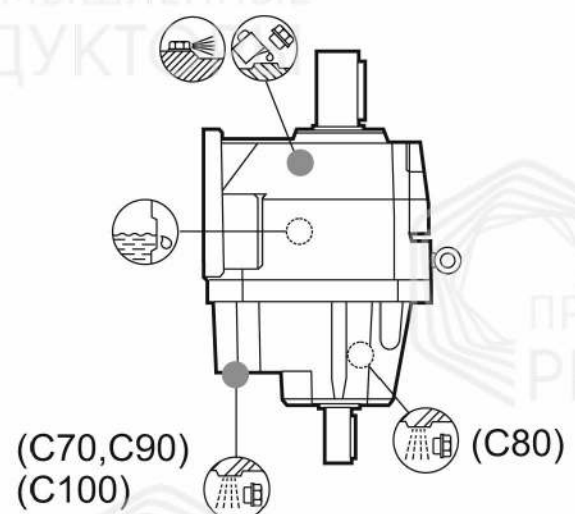
2x
3x

4x

V6

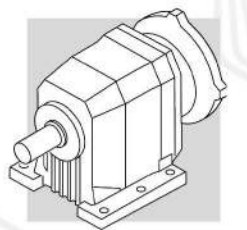


W = Default



2x
3x

4x



C_F

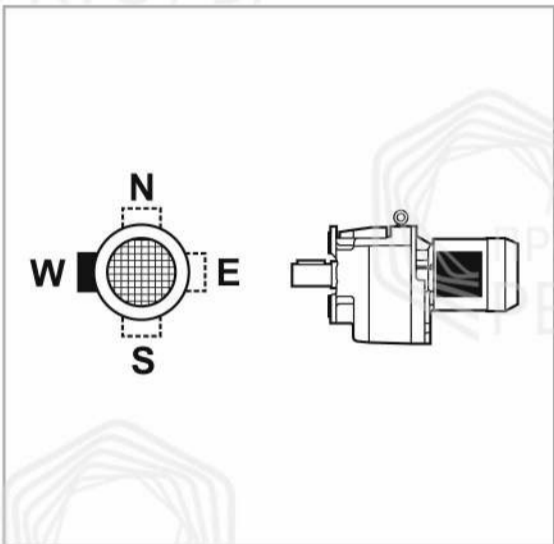
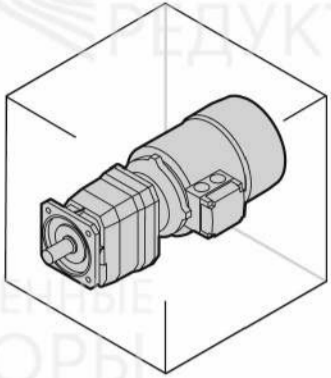
(B15)

_HS

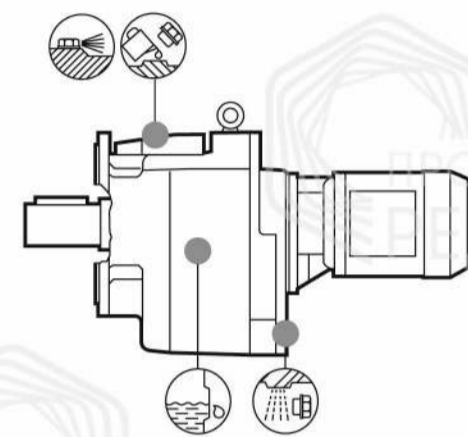
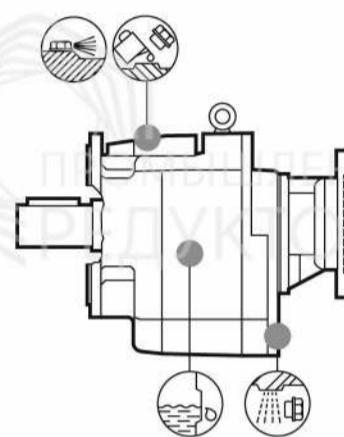
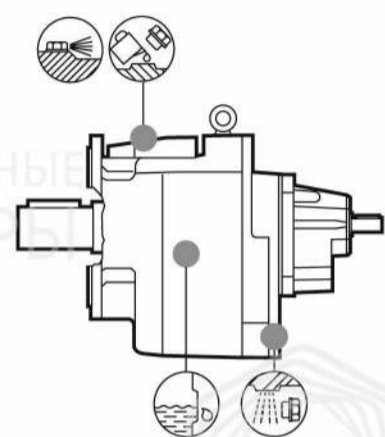
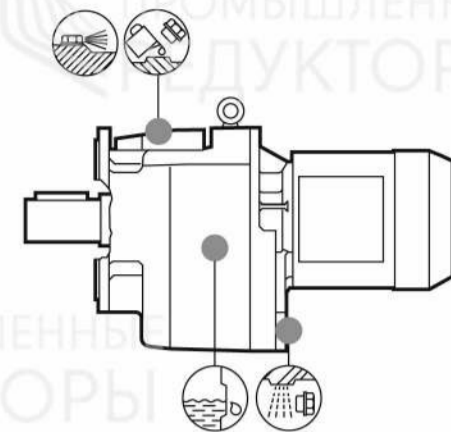
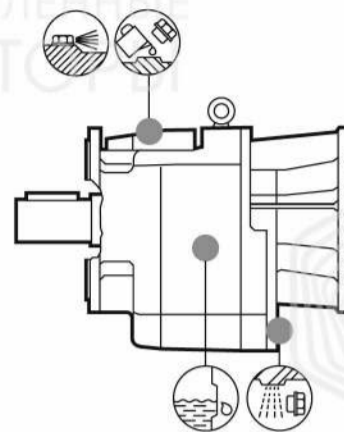
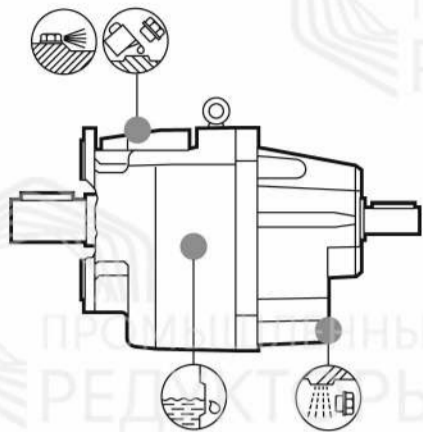
_P (IEC)

_S

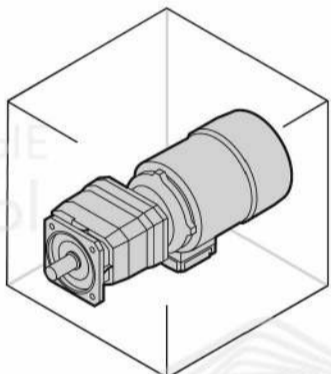
B5



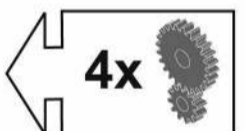
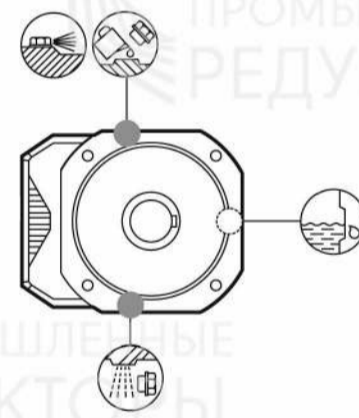
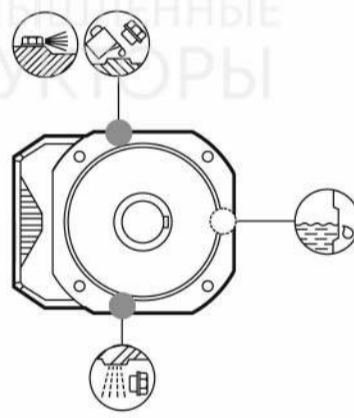
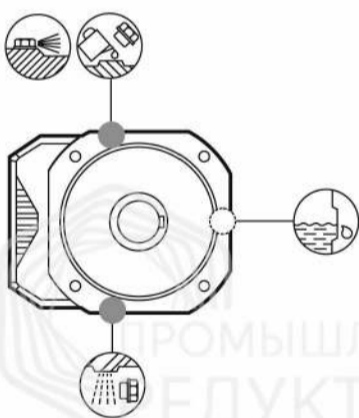
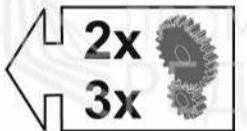
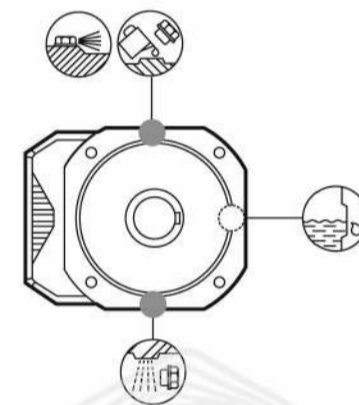
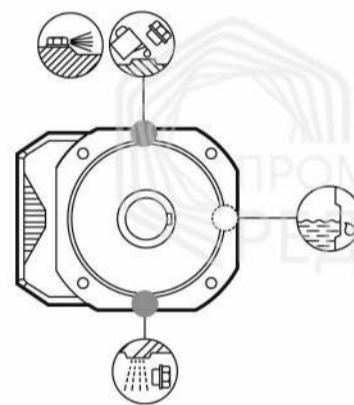
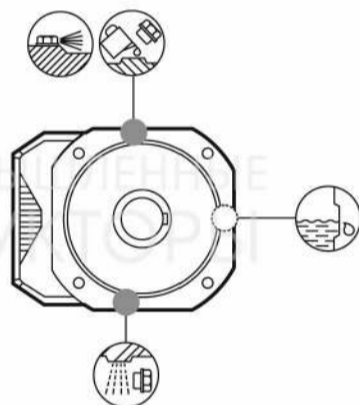
W = Default



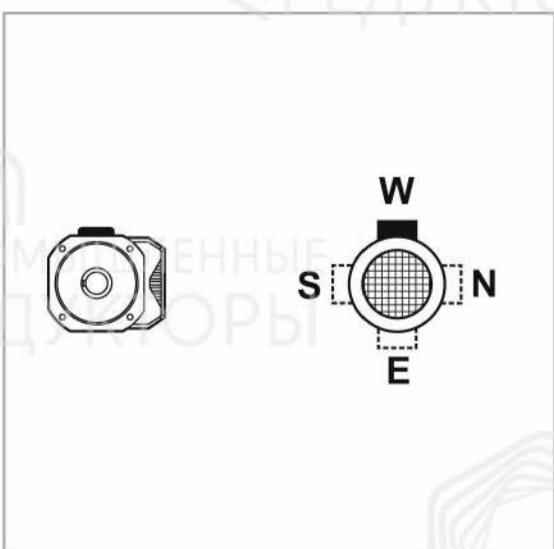
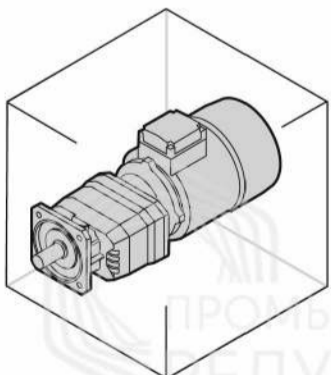
B51



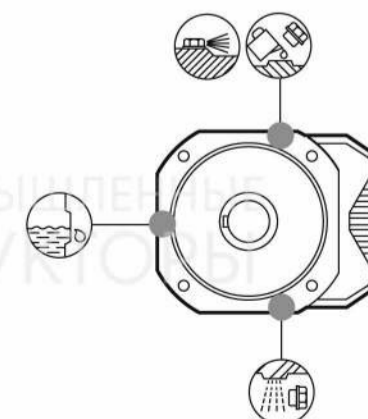
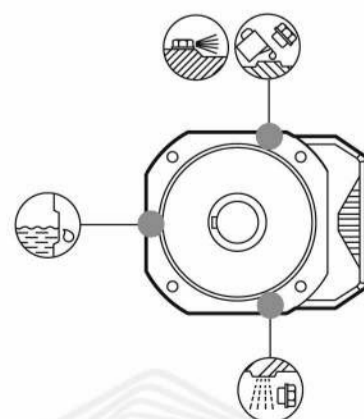
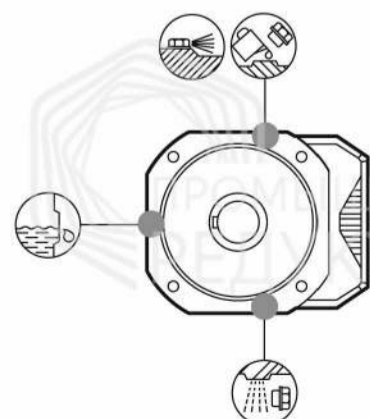
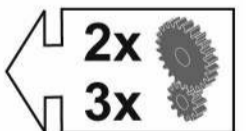
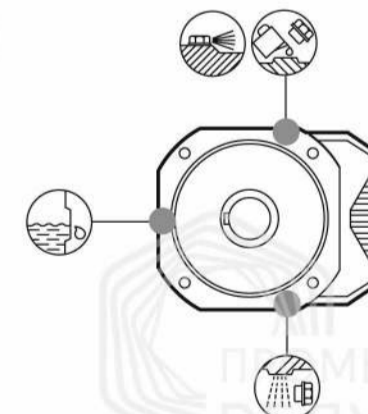
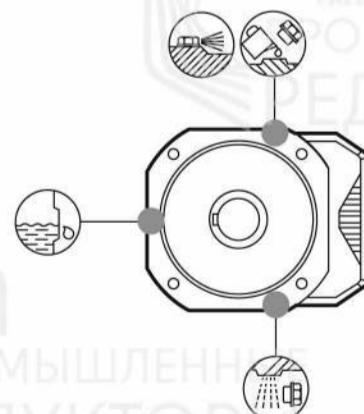
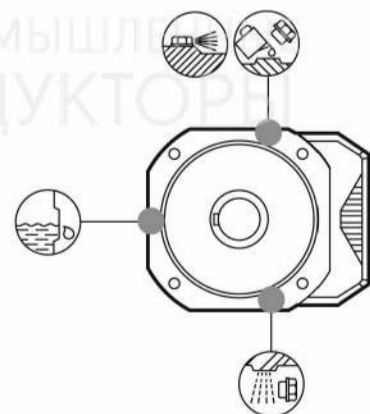
W = Default

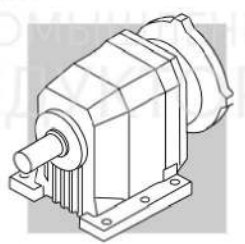


B53



W = Default





C 70...C 100

C_F

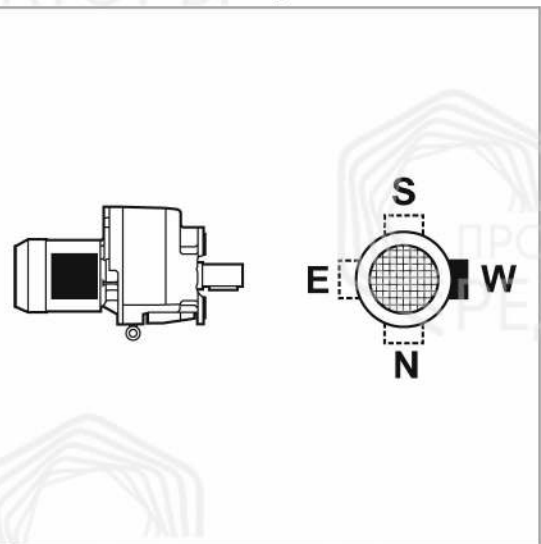
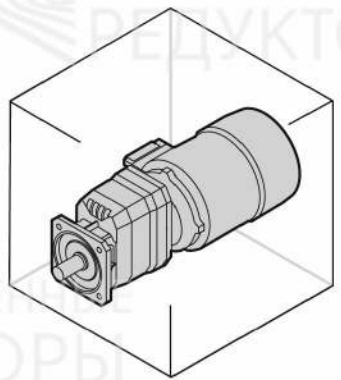
(B16)

_HS

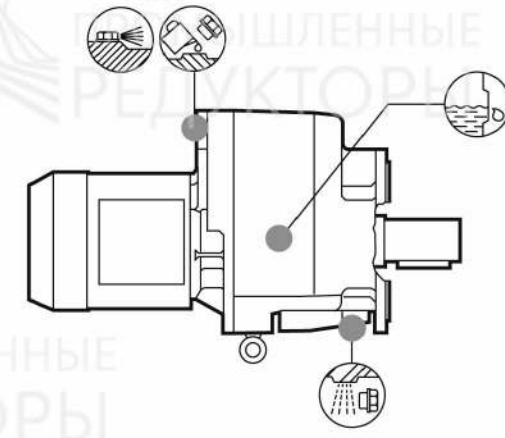
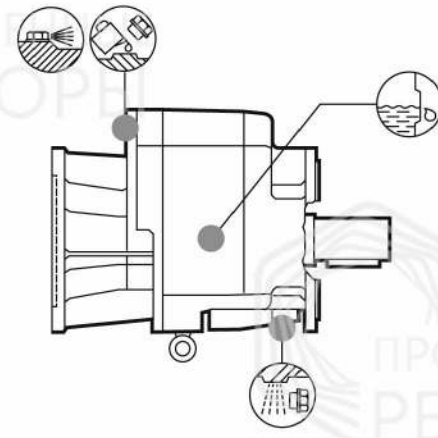
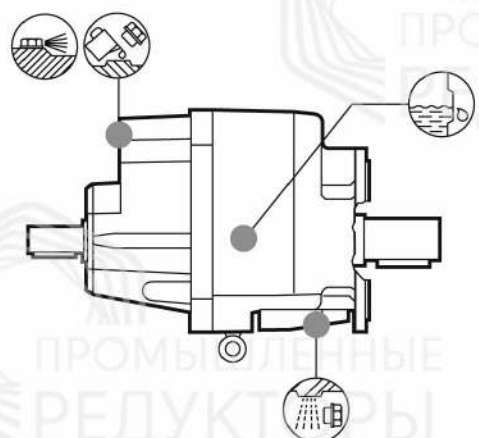
_P (IEC)

_S

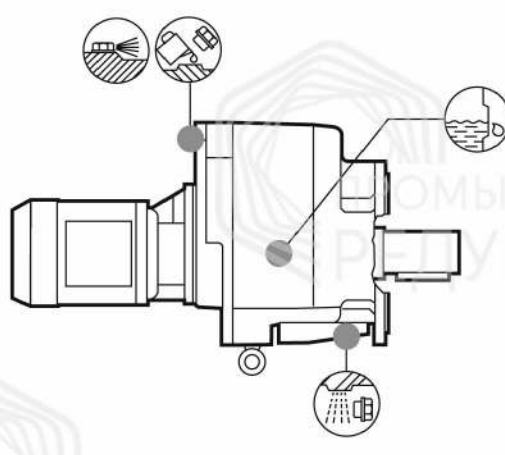
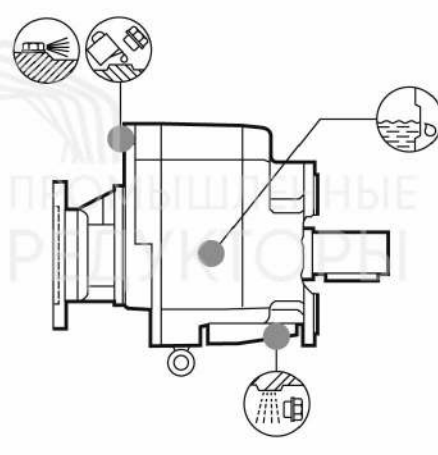
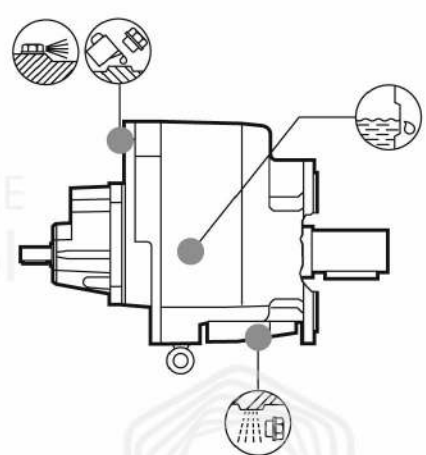
B52



W = Default

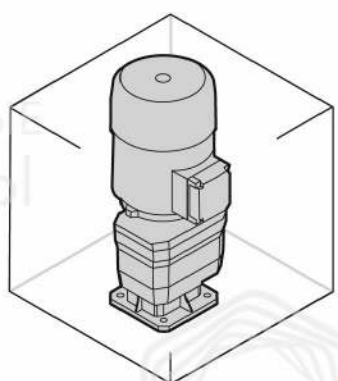


2x
3x

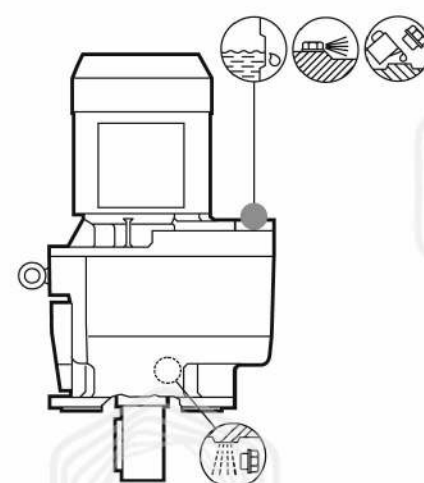
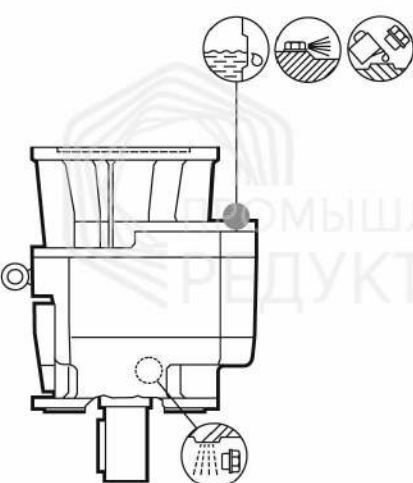
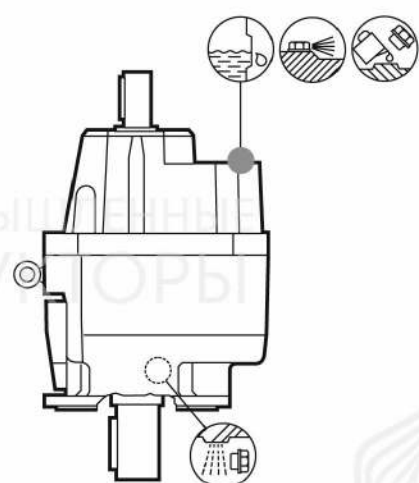


4x

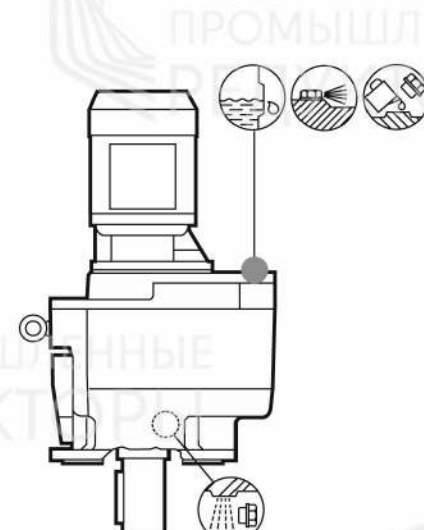
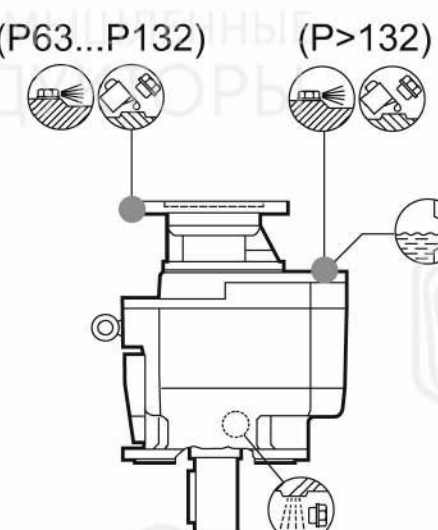
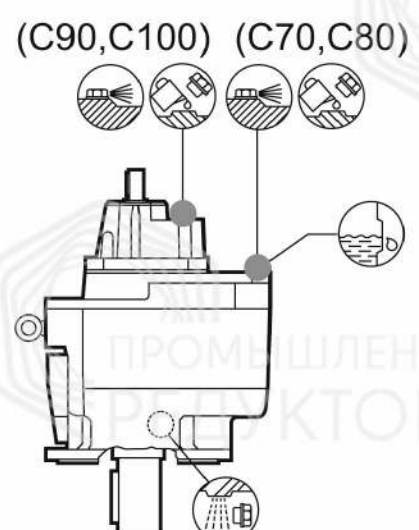
V1



W = Default

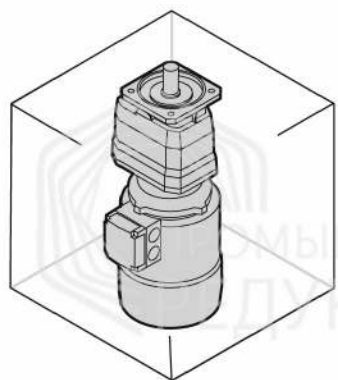


2x
3x

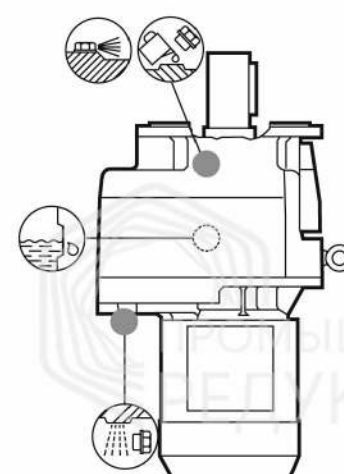
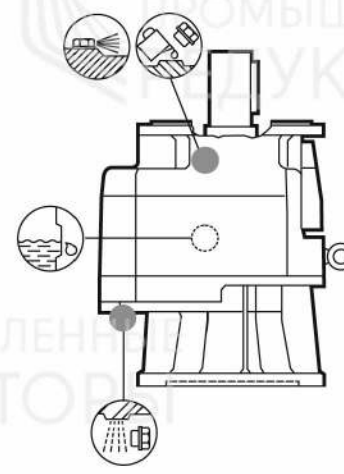
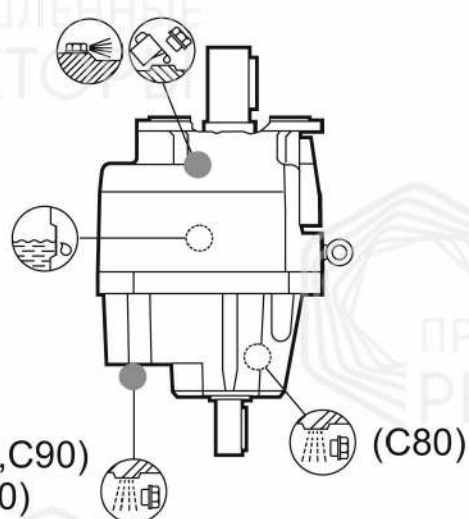


4x

V3

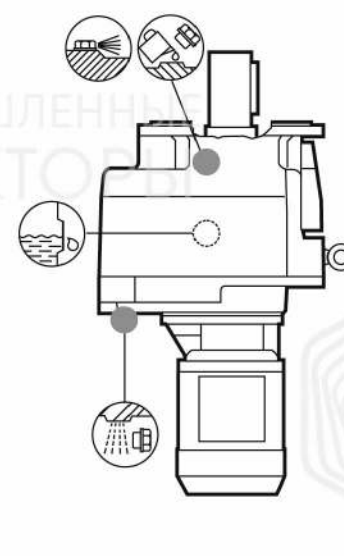
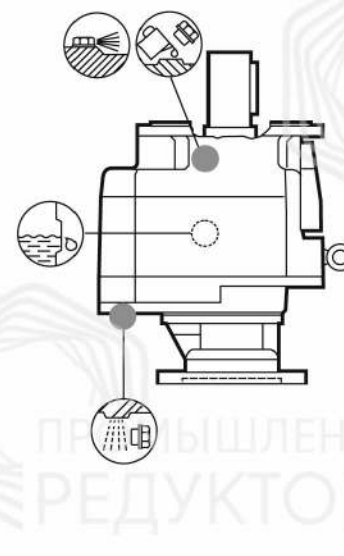
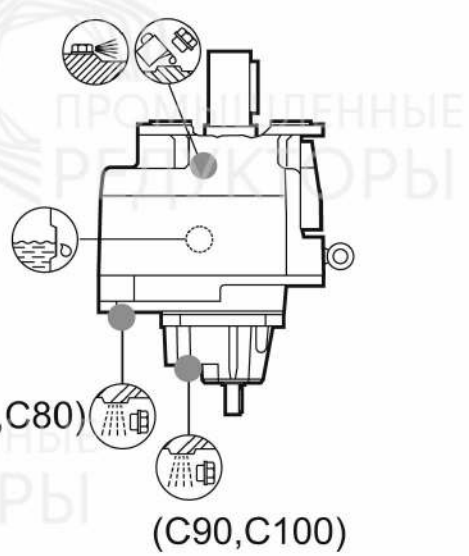


W = Default



2x
3x

(C70,C90) (C100) (C80)



4x